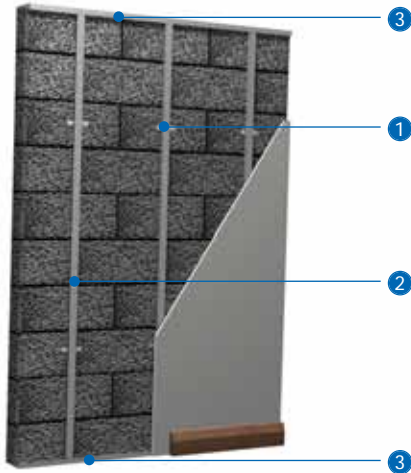


## Metal framed wall lining system

GypLyner UNIVERSAL is a cost-effective, virtually independent metal frame drylining system for lining walls. General purpose and suitable for all internal non-loadbearing applications. This system is compatible with, and uses common components of, GypLyner UNIVERSAL ceiling lining and GypLyner ENCASE steel encasement system.





- 1 Gypframe GL2 or GL9 Bracket
- 2 Gypframe GL1 Lining Channel
- 3 Gypframe GL8 Track

## Key facts


- Corrects background irregularities
- Minimal connection to the structure
- Can satisfy national Building Regulations on thermal performance and acoustic requirements
- Provides service void
- Versatile, general purpose lining
- Little or no background preparation needed
- Commonality of ceiling and wall lining components

## Components

### Gyproc board products

			Take-off quantities <sup>1</sup>
	<b>Gyproc WallBoard<sup>3</sup></b>		100m <sup>2</sup>
	Thickness	12.5, 15mm	
	Width	1200mm	
	<b>Gyproc SoundBloc<sup>2</sup></b>		100m <sup>2</sup>
	To meet Part E regulations		
	Thickness	12.5, 15mm	
	Width	1200mm	
	<b>Gyproc DuraLine<sup>2</sup></b>		100m <sup>2</sup>
	Thickness	15mm	
	Width	1200mm	
	<b>Gyproc ThermoLine laminates<sup>2</sup></b>		100m <sup>2</sup>
	Thickness	22 - 93mm	
	Width	1200mm	

### Specialist board products

	<b>Glasroc H TILEBACKER<sup>4</sup></b>		100m <sup>2</sup>
	Thickness	12.5mm	
	Width	1200mm	

<sup>1</sup> Quantities are for 100m<sup>2</sup> of straight wall lining with single layer boarding. Quantities are approximate and for guidance only. No allowance has been made for waste, openings, abutments, etc. Refer to section 12 - Quantity take-off details.

### Gypframe metal products

			Take-off quantities <sup>1</sup>
	<b>Gypframe GL1 Lining Channel</b>		167m
	Length	2400, 2700, 3000, 3600mm	
	<b>Gypframe GL2 Bracket</b>		dependant on lining height
	Length	195mm flat (max 75mm stand-off from wall)	
	<b>Gypframe GL9 Bracket</b>		dependant on lining height
	Length	295mm flat (max 125mm stand-off from wall)	
	<b>Gypframe GL3 Channel Connector</b>		dependant on lining height
	<b>Gypframe GL8 Track</b>		dependant on lining height
	Length	3600mm	

<sup>2</sup> Moisture resistant boards are specified in intermittent wet use areas.

<sup>3</sup> Also available in DUPLEX grades where a vapour check is required.

<sup>4</sup> Glasroc H TILEBACKER is suitable for use in high moisture environments. For tiling guidance, refer to section 10 - Tiling.

Gypframe metal products		Take-off quantities <sup>1</sup>
	<b>Gypframe 99 FC 50 Fixing Channel</b> Length 2400mm	as required
	<b>Gypframe 150 FC 90 Fixing Channel</b> Length 1194mm	as required
	<b>Gypframe GFS1 Fixing Strap</b> Length 2400mm	as required
	<b>Gypframe GFT1 Fixing 'T'</b> Length 2400mm	as required

Fixing and finishing products		Take-off quantities <sup>1</sup>
	<b>Gyproc Wafer Head Drywall Screws</b> For metal-to-metal fixing up to 0.79mm thick	as required
	<b>Gypframe GL11 GyLyner Anchors</b> For fixing Gypframe GL2 or GL9 Brackets to concrete / masonry	as required
	<b>Gyproc Drywall Screws</b> For fixing boards to stud framing up to 0.79mm thick	1,100

## Components

### Fixing and finishing products

	Take-off quantities <sup>1</sup>
 <b>Gyproc Sealant</b> Sealing air paths for optimum sound insulation.	1 cartridge per 35m based on a 6 - 10mm bead
 <b>Gyproc edge beads</b> Protecting and enhancing board edges.	as required
 <b>Gyproc Control Joint</b> To accommodate structural movement. Length 3048mm	as required

<sup>1</sup> Quantities are for 100m<sup>2</sup> of straight wall lining with single layer bonding. Quantities are approximate and for guidance only. No allowance has been made for waste, openings, abutments, etc. Refer to section 12 - Quantity take-off details.

### Fixing and finishing products

	Take-off quantities <sup>1</sup>
 <b>Gyproc jointing materials</b> For a seamless finish.	as required
 <b>Thistle Multi-Finish or Thistle Board Finish</b> To provide a plaster skim finish.	10m <sup>2</sup> per 25kg bag
<b>or</b>	
 <b>Thistle Durafinish</b> To provide improved resistance to accidental damage.	10m <sup>2</sup> per 25kg bag
<b>or</b>	
 <b>Thistle Spray Finish</b> Gypsum finish plaster for spray or hand application.	11m <sup>2</sup> per 25kg bag
 <b>Isover APR 1200</b> For enhanced acoustic performance. 25mm or 50mm.	as required

## Construction tips

- Estimated construction time 3m<sup>2</sup> / man hour - ready for finishing
- Depth of the cavity is determined by the fixing brackets, each requiring a stand-off plus lining thickness of either 25mm - 75mm for a Gypframe GL2 Bracket and 25mm - 125mm for a Gypframe GL9 Bracket
- Keep the drylining cavity closed to prevent downgrading the thermal performance - where required apply a continuous band of Gyproc Dri-Wall Adhesive or Gyproc Sealant to the perimeter of external walls, around service penetrations, openings, junctions and around the perimeter of suspended timber floors
- Brackets to be fixed at a maximum of 800mm vertical centres
- Use full height boards where possible - if joints are unavoidable, position them above suspended ceilings or below access floor level
- Support horizontal board joints with Gypframe GFT1 Fixing 'T', or use Gypframe GFS1 Fixing Strap for double boarded linings
- Form vertical cavity barriers, where specified, in long runs of lining

## Installation



- Use a straight edge (e.g. Gypframe GL1 Lining Channel) to determine the maximum undulation in the wall or service protrusion. This will determine the cavity depth.



- Mark chalk lines to the floor and ceiling to indicate the positioning of the Gypframe GL8 Track.



- Fix Gypframe GL8 Track to perimeters, with the longer leg towards the lining, at 600mm centres using appropriate fixings (see Base detail 20).



- Mark vertical lines on the wall at 600mm intervals to indicate bracket fixing centres.
- Mark horizontal lines at 800mm centres to determine individual bracket position.
- Use a 5.5mm drill bit to drill a 45mm minimum depth hole.
- Position each bracket, ribs to the wall, and fix through bracket slot into the masonry wall using a Gypframe GL11 GypLyner Anchor, which is a hammer fixing.

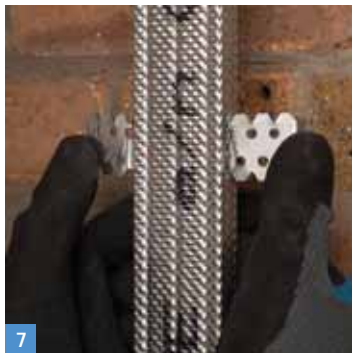


- Cut Gypframe GL1 Lining Channels to size and round-off ends with tin snips for an easier fit.
- NB** Additional Gypframe GL1 Lining Channels may be required to pick up fixings for subsequent adjacent linings (see **Junction details – 10 to 21**).
- Friction fit Gypframe GL1 Lining Channel into the track.
  - Extend GL1 Channel where required by engaging ends over a GL3 Channel Connector.

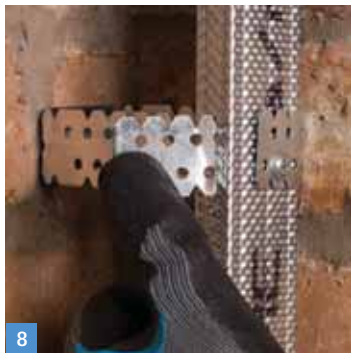


- Bend bracket legs forward and fix each leg to the channel using a Gyproc Wafer Head Drywall Screw. Insert screw through the hole in the bracket nearest to the back of the channel (see **Junction detail – 18**).
- NB** Avoid exerting any backwards or forwards pressure on the channels when screw-fixing the brackets, otherwise a straight and true lining surface may not be achieved.





- 7
- Bend back protruding bracket legs to sit clear of the channel face.



#### 8

### Internal angles

- Position a Gypframe GL1 Lining Channel tight into the corner in order to provide support for the lining.
- Bend one bracket leg across the face of the Gypframe GL1 Lining Channel and fix with a Gyproc Wafer Head Drywall Screw to secure and restrain the channel at the corner position.



#### 9

### Board fixing

- Fix boards to all framing members at 300mm centres using Gyproc Drywall Screws from top to bottom.
  - Lightly butt boards, inserting screws not closer than 10mm from bound edges and 13mm from cut edges.
- NB** Select the appropriate length of fixing to provide a nominal 10mm penetration into the steel framing (dependent on board thickness).



- Adjacent linings to be fixed through previous plasterboard into the Gypframe GL1 Lining Channel behind.
  - Locate Gypframe GL8 Track tight to the wall at the corner position and fix through the lining into the channel.
  - Continue boarding, fixing boards to all framing members.
- NB** Adjust slotted brackets (if necessary) as boarding proceeds to allow for board width tolerances.

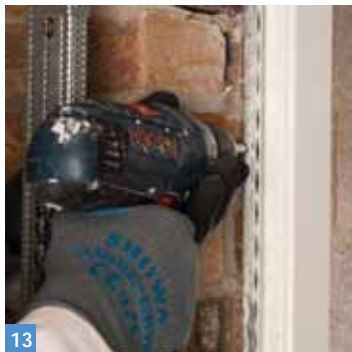


### Openings

- Position a Gypframe Lining Channel either side of the opening to compensate for the thickness of the plasterboard to be fixed into the reveal.
- Install cut and bent track to form the head of the opening and fix to the side of the channel using two Gyproc Wafer Head Drywall Screws.



- Position short lengths of Gypframe GL1 Lining Channel above the opening for additional support and to maintain appropriate support centres, and fix using two Gyproc Wafer Head Drywall Screws.



- Fix Gyproc edge bead to the perimeter of the window frame to provide edge protection to the reveal and soffit linings.

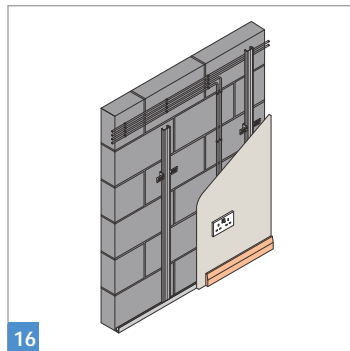


- Cut reveal and soffit boards to width, locate into the perimeter edge bead and fix to the channel.
- Fix boards to complete drylining at the opening.

**NB** Alternatively Gyproc ThermaLine PLUS could be fixed using Gyproc Sealant as shown in section 6 DriLyner RF. (see Junction detail – 19).



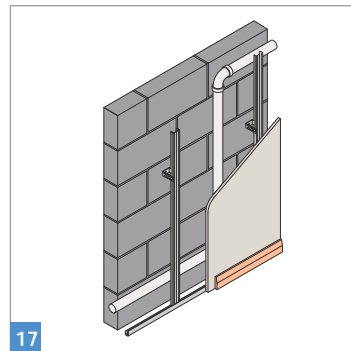
- Where door openings occur in the run of lining, cut board around the opening to avoid a joint directly in line with door jambs.



### Insulation

- If Isover insulation is specified, install progressively as boarding proceeds.

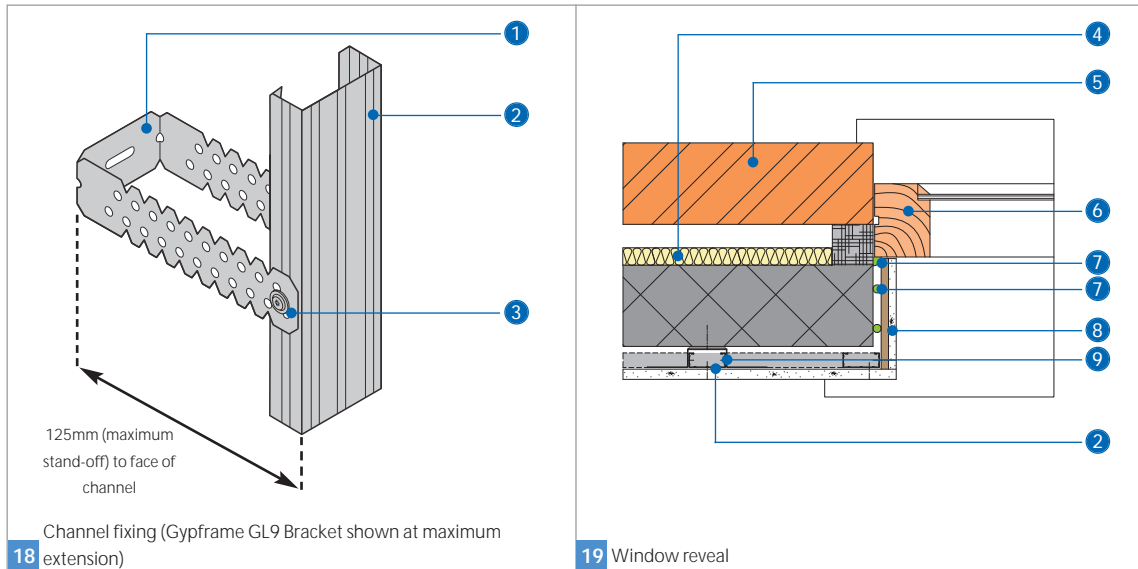
**NB** The insulating backing of Gyproc ThermaLine laminates should not be chased to accommodate services. PVC covered cables must not come into contact with polystyrene insulation. Use suitable isolation methods (conduit or capping).



### Service installations

- The drylining cavity facilitates the incorporation of services. Fix pipes and conduits in position before installing the framing.

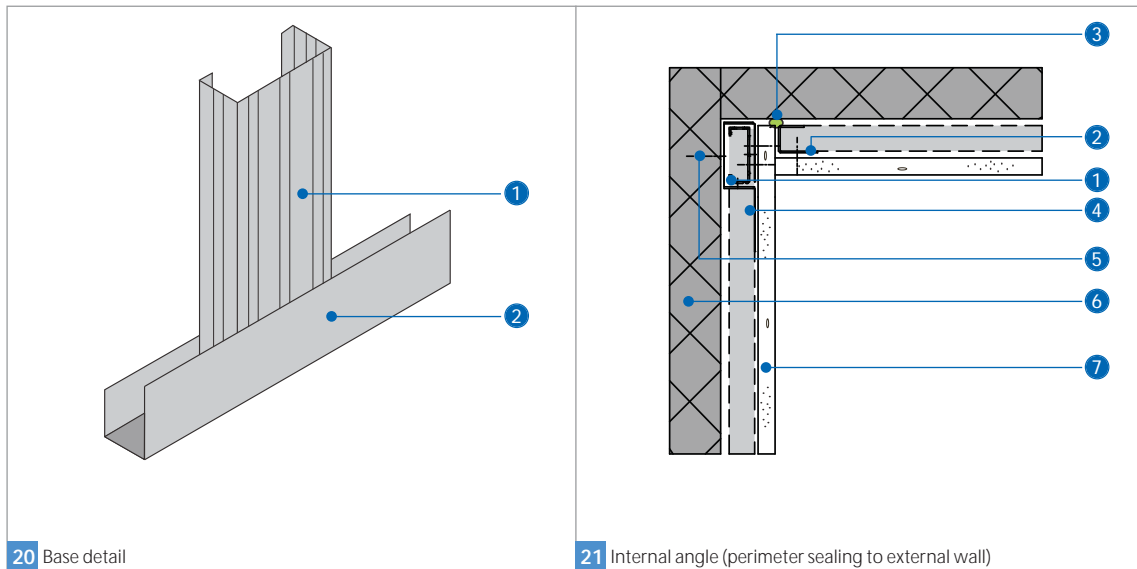
## Junction details



- 1 Gypframe GL9 Bracket
- 2 Gypframe GL1 Lining Channel
- 3 Gyproc Wafer Head Drywall Screw

- 4 Isover Hi-Therm partial cavity fill
- 5 Wall structure
- 6 Window unit

- 7 Gyproc Sealant
- 8 Gyproc ThermaLine PLUS
- 9 Gypframe GL2 Bracket



20 Base detail

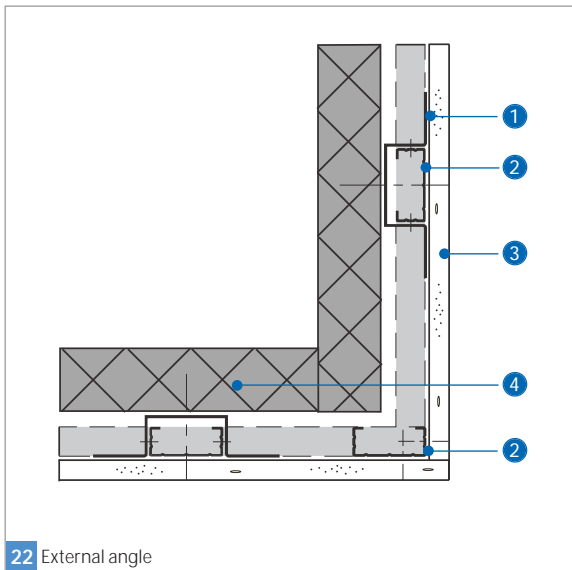
21 Internal angle (perimeter sealing to external wall)

- 1 Gypframe GL1 Lining Channel
- 2 Gypframe GL8 Track
- 3 Gyproc Sealant

- 4 Gypframe GL2 Bracket
- 5 Gypframe GL11 GypLyner Anchor
- 6 Wall structure

- 7 Gyproc plasterboard lining

## Junction details



- ① Gypframe GL2 Bracket
- ② Gypframe GL1 Lining Channel
- ③ Gyproc plasterboard lining
- ④ Wall structure

