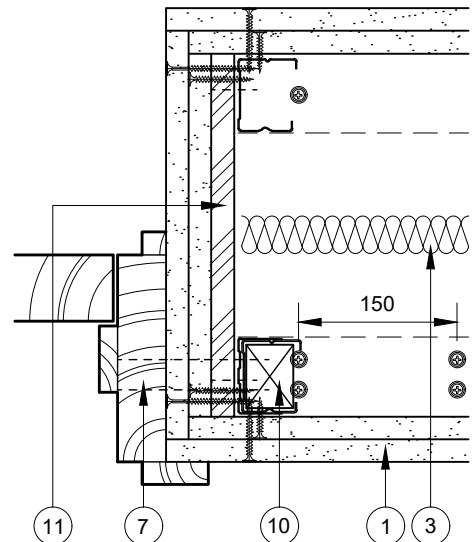
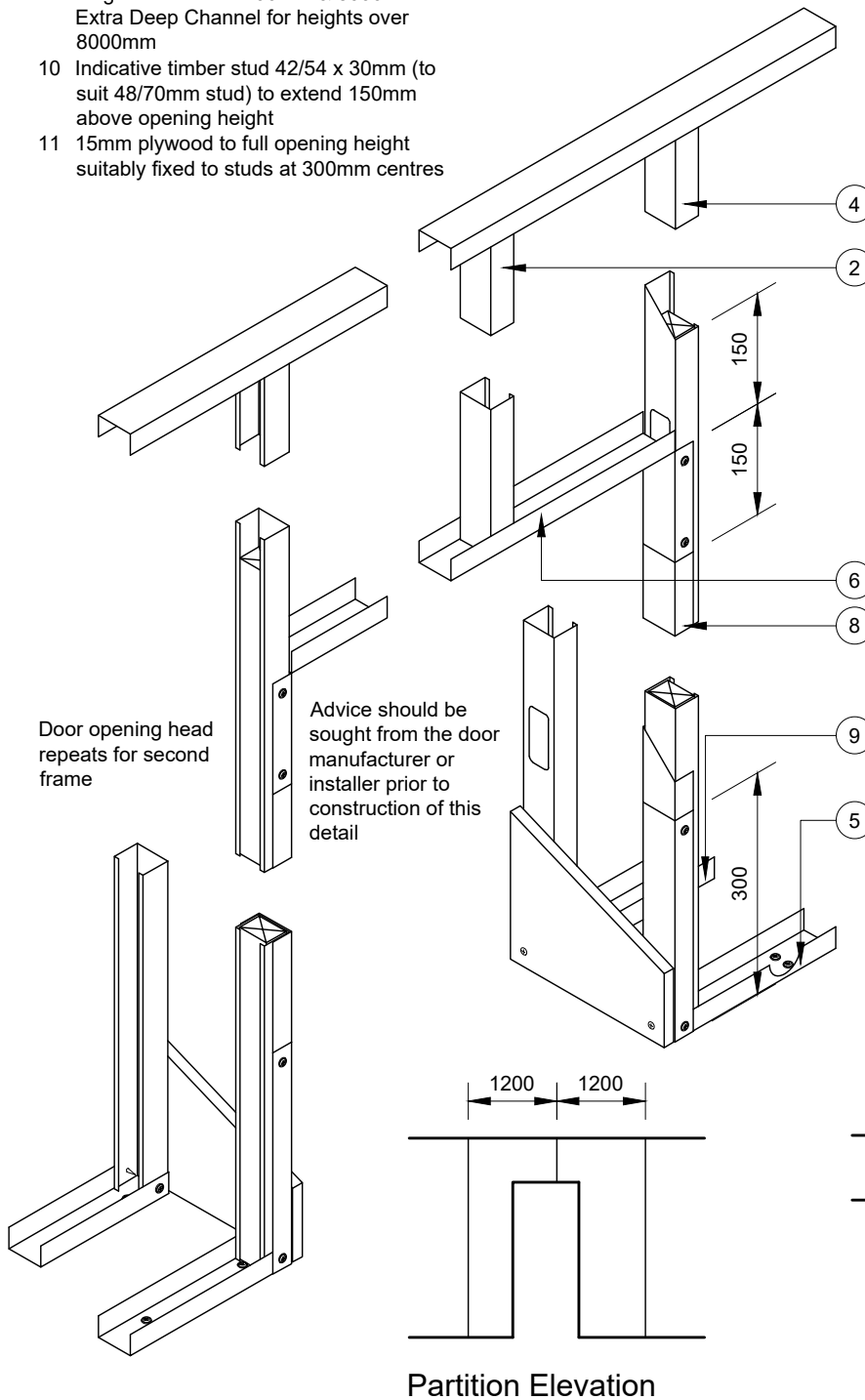


This drawing is provided to customers free of charge and the details shown are subject to the accuracy of the information provided to British Gypsum at the time the drawing was originally requested. No duty of care is owed to the recipient or any other third party and British Gypsum cannot accept liability in respect of the details shown. The drawing should therefore be approved by the project design and management authority before use to ensure that it meets with their specific project requirements. It should also be read in conjunction with British Gypsum's current literature available at www.british-gypsum.com. Taping and finishing in accordance with British Gypsum's current recommendations is assumed (with the exception of FireCase system). Please note the drawing may show British Gypsum products fixed by or to products that are non-British Gypsum products/fixings please refer to Specifying Authority for specification details. This drawing is valid at the time of issue, please check with British Gypsum for the latest version.

GypWall Quiet

- 9 Gyproframe Channel suitably fixed to floor at 600mm centres. Deep Channel for heights between 4200mm & 8000mm or Extra Deep Channel for heights over 8000mm
- 10 Indicative timber stud 42/54 x 30mm (to suit 48/70mm stud) to extend 150mm above opening height
- 11 15mm plywood to full opening height suitably fixed to studs at 300mm centres

- 1 2 layers Gyproc plasterboard or Glasroc specialist board fixed with suitable British Gypsum screws at 300mm centres (200mm centres at external angles)
- 2 2 lines of Gyproframe 'C' studs at specified centres cross braced with Gyproframe 99 FC 50 Fixing Channel at 1200mm centres (staggered by 600mm between stud pairs for heights over 2400mm) fixed to each stud with 2 no. suitable British Gypsum wafer head screws, to maintain stud module
- 3 Isover insulation where required
- 4 2 lines of Gyproframe 'C' studs at jamb & cross braced above opening as note 2
- 5 Gyproframe Channel suitably fixed to floor with 2 pairs of fixings at 150mm centres (4 total) & at 600mm centres thereafter. Channel cut & bent to extend 300mm up stud & fixed through both flanges with 2 no. suitable British Gypsum wafer head screws. Deep Channel for heights between 4200mm & 8000mm or Extra Deep Channel for heights over 8000mm
- 6 Gyproframe Channel cut & bent to extend 150mm down stud & fixed through both flanges with 2 no. suitable British Gypsum wafer head screws or crimped
- 7 Indicative timber door frame (fixed to timber stud) & architrave
- 8 Gyproframe Channel sleeved over stud between returned channels at opening head & base



Door Opening Width up to 1200mm

Maximum Door Weight 60kg to BS 5234: Parts 1 & 2: 1992 - Heavy & Severe Duty



Technical Support Team
Tel: 0115 945 6123
british-gypsum.com

Title:

GypWall Quiet

48mm & 70mm 'C' Studs and 2 Layers Board
Typical Details Read with Project Specification

Scale at A4: Date: Drawn: Approved: Dwg No.: Rev.:
1:5 1:10 Jan 20 MRC DRM TY-706-Z1L2-04