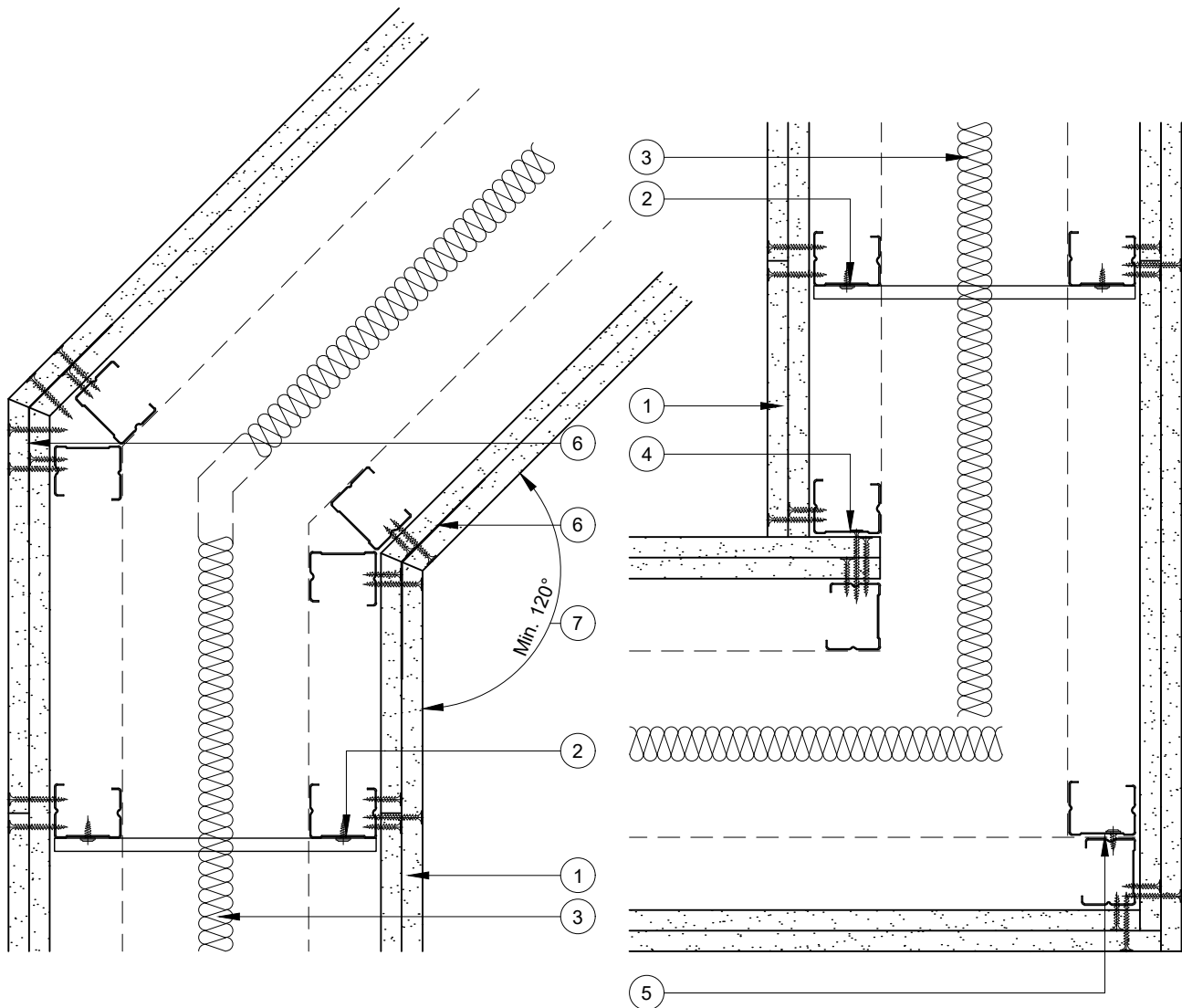


This drawing is provided to customers free of charge and the details shown are subject to the accuracy of the information provided to British Gypsum at the time the drawing was originally requested. No duty of care is owed to the recipient or any other third party and British Gypsum cannot accept liability in respect of the details shown. The drawing should therefore be approved by the project design and management authority before use to ensure that it meets with their specific project requirements. It should also be read in conjunction with British Gypsum's current literature available at www.british-gypsum.com. Taping and finishing in accordance with British Gypsum's current recommendations is assumed (with the exception of FireCase system). Please note the drawing may show British Gypsum products fixed by or to products that are non-British Gypsum products/fixings please refer to Specifying Authority for specification details. This drawing is valid at the time of issue, please check with British Gypsum for the latest version.

GypWall Quiet

- 1 2 layers Gyproc plasterboard or Glasroc specialist board fixed with suitable British Gypsum screws at 300mm centres (200mm centres at external angles)
- 2 2 lines of Gyframe 'C' studs at specified centres cross braced with Gyframe 99 FC 50 Fixing Channel at 1200mm centres (staggered by 600mm between stud pairs for heights over 2400mm) fixed to each stud with 2 no. suitable British Gypsum wafer head screws
- 3 Isover insulation where required
- 4 Gyframe 'C' stud fixed through board to stud with suitable British Gypsum screws at 600mm centres
- 5 Gyframe 'C' studs fixed together with suitable British Gypsum wafer head screws at 600mm centres
- 6 Gyframe GA6 Splayed Angle to receive outer layer board fixings
- 7 Minimum angle ensures Gyframe GA6 Splayed Angle is fixed to studs at external angle



Splayed Angle

Corner



Technical Support Team
Tel: 0115 945 6123
british-gypsum.com

Title:

GypWall Quiet

48mm & 70mm 'C' Studs and 2 Layers Board
Typical Details Read with Project Specification

Scale at A4:

Date:

Drawn:

Approved:

Dwg No.:

Rev.:

1:5

Jan 20

MRC

DRM

TY-706-Z1L2-02