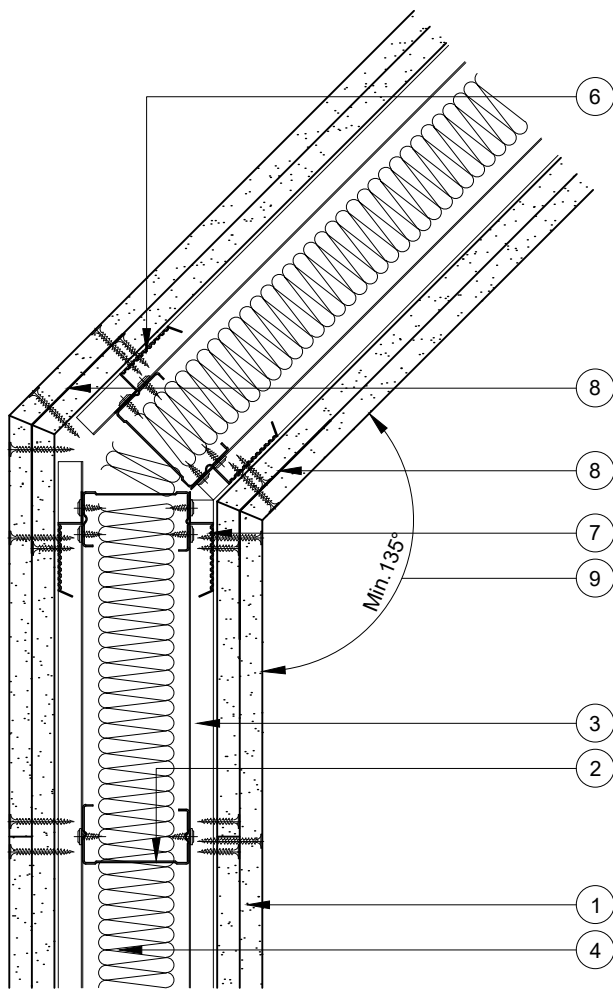


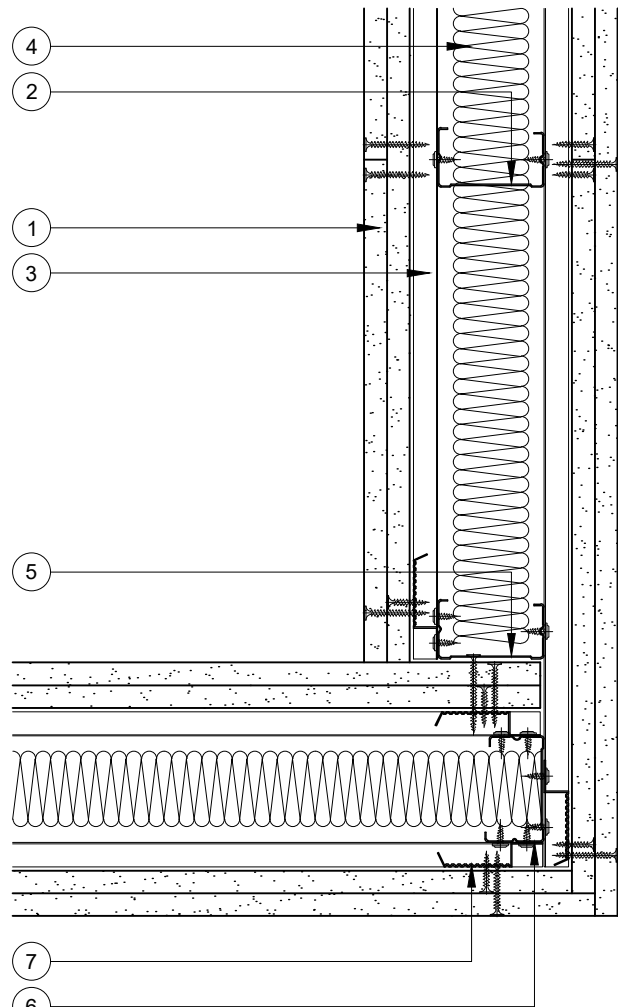
This drawing is provided to customers free of charge and the details shown are subject to the accuracy of the information provided to British Gypsum at the time the drawing was originally requested. No duty of care is owed to the recipient or any other third party and British Gypsum cannot accept liability in respect of the details shown. The drawing should therefore be approved by the project design and management authority before use to ensure that it meets with their specific project requirements. It should also be read in conjunction with British Gypsum's current literature available at www.british-gypsum.com. Taping and finishing in accordance with British Gypsum's current recommendations is assumed (with the exception of FireCase system). Please note the drawing may show British Gypsum products fixed by or to products that are non-British Gypsum products/fixings please refer to Specifying Authority for specification details. This drawing is valid at the time of issue, please check with British Gypsum for the latest version.

GypWall Quiet SF

- 1 2 layers Gyproc plasterboard or Glasroc specialist board fixed with suitable British Gypsum screws at 300mm centres (200mm centres at external angles)
- 2 Gyproframe 'C' studs at specified centres
- 3 Horizontal Gyproframe RB1 Resilient Bars at specified centres fixed to all studs with suitable British Gypsum wafer head screws
- 4 Isover insulation where required
- 5 Gyproframe 'C' stud fixed through board to resilient bars with suitable British Gypsum screws at 600mm centres (in 2 lines for 92mm & 146mm studs)
- 6 Gyproframe 'C' stud at junction (2 no. for 92mm & 146mm studs)
- 7 Short lengths of Gyproframe RB1 Resilient Bar between horizontal lengths fixed to studs with suitable British Gypsum wafer head screws
- 8 Gyproframe GA6 Splayed Angle to receive outer layer board fixings
- 9 Minimum angle ensures Gyproframe GA6 Splayed Angle is fixed to studs at external angle



Splayed Angle



Corner



Technical Support Team
Tel: 0115 945 6123
british-gypsum.com

Title:

GypWall Quiet SF

'C' Studs with Resilient Bars 2 Sides and 2 Layers Board

Typical Details Read with Project Specification

Scale at A4:

Date:

Drawn:

Approved:

Dwg No.:

Rev.:

1:5

Jan 20

MRC

DRM

TY-708-Z5L2-02