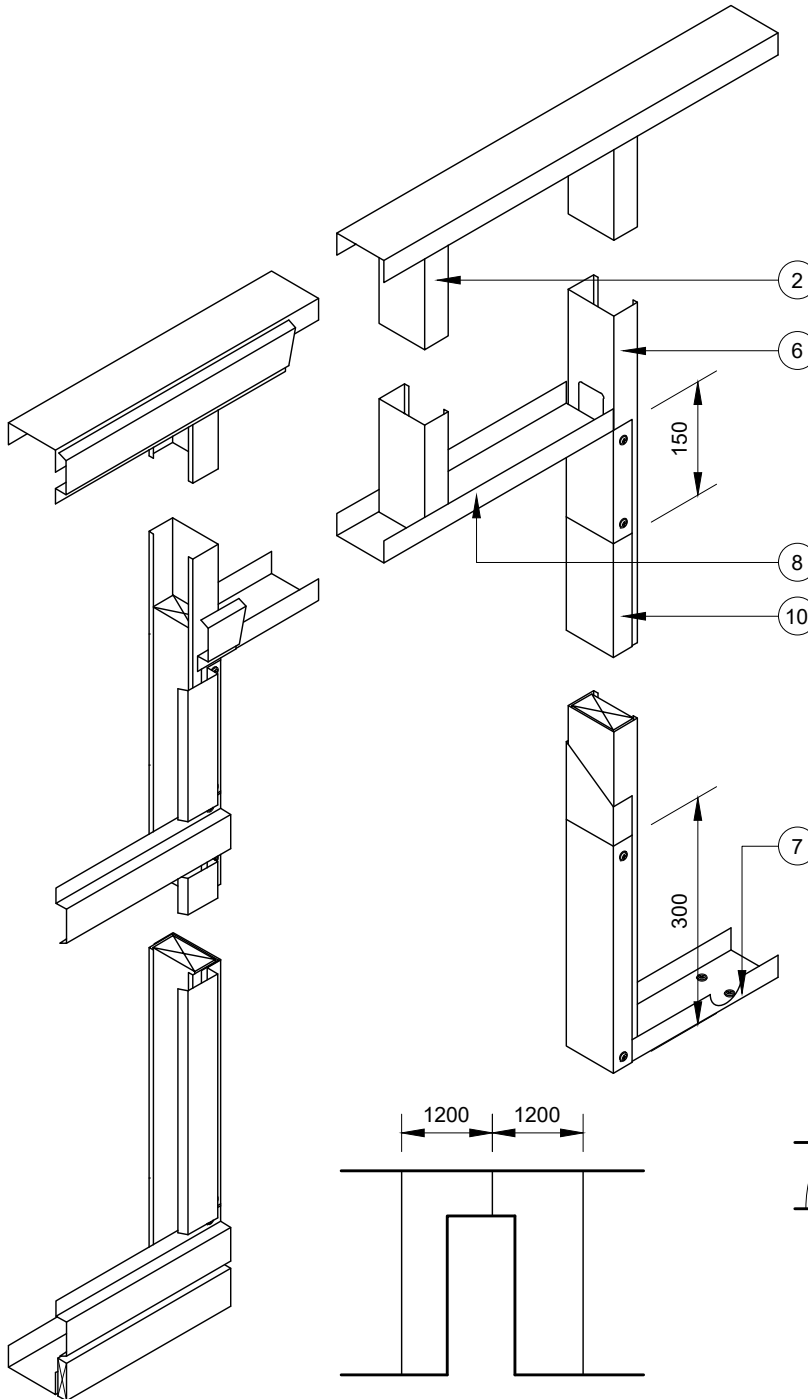


This drawing is provided to customers free of charge and the details shown are subject to the accuracy of the information provided to British Gypsum at the time the drawing was originally requested. No duty of care is owed to the recipient or any other third party and British Gypsum cannot accept liability in respect of the details shown. The drawing should therefore be approved by the project design and management authority before use to ensure that it meets with their specific project requirements. It should also be read in conjunction with British Gypsum's current literature available at www.british-gypsum.com. Taping and finishing in accordance with British Gypsum's current recommendations is assumed (with the exception of FireCase system). Please note the drawing may show British Gypsum products fixed by or to products that are non-British Gypsum products/fixings please refer to Specifying Authority for specification details. This drawing is valid at the time of issue, please check with British Gypsum for the latest version.

GypWall Quiet SF

Advice should be sought from the door manufacturer or installer prior to construction of this detail

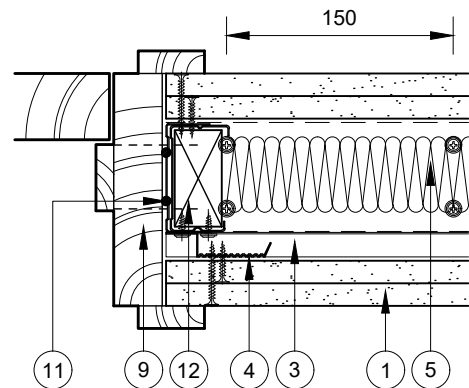


- 1 2 layers Gyproc plasterboard or Glasroc specialist board fixed with suitable British Gypsum screws at 300mm centres (200mm centres at external angles)
- 2 Gypframe 'C' studs at specified centres to maintain stud module
- 3 Horizontal Gypframe RB1 Resilient Bars at specified centres fixed to all studs with suitable British Gypsum wafer head screws
- 4 Short lengths of Gypframe RB1 Resilient Bar between horizontal lengths fixed to studs with suitable British Gypsum wafer head screws
- 5 Isover insulation where required
- 6 Gypframe 'C' stud at jamb
- 7 Gypframe Channel suitably fixed to floor with 2 pairs of fixings at 150mm centres (4 total) & at 600mm centres (in 2 lines staggered by 300mm for 94mm & 148mm channels) thereafter. Channel cut & bent to extend 300mm up stud & fixed through both flanges with 2 no. suitable British Gypsum wafer head screws. Deep Channel for heights between 4200mm & 8000mm
- 8 Gypframe Channel cut & bent to extend 150mm down stud & fixed through both flanges with 2 no. British Gypsum wafer head screws or crimped
- 9 Indicative timber door frame & architrave
- 10 Gypframe Channel sleeved over stud between returned channels at opening head & base
- 11 Suitable solvent based construction adhesive with instant grab by others
- 12 Optional indicative timber stud 64/86/140 x 30mm (to suit 70/92/146mm stud) to extend nominal 50mm above opening height

Partition Elevation

Door Opening Width up to 1200mm

Maximum Door Weight 60kg to BS 5234: Parts 1 & 2: 1992 - Heavy & Severe Duty



Technical Support Team
Tel: 0115 945 6123
british-gypsum.com

Title:

GypWall Quiet SF

'C' Studs with Resilient Bars 1 Side and 2 Layers Board

Typical Details Read with Project Specification

Scale at A4: Date:

1:5 1:10

Jan 20

Drawn:

MRC

Approved:

DRM

Dwg No.:

TY-708-Z4L2-06

Rev.: