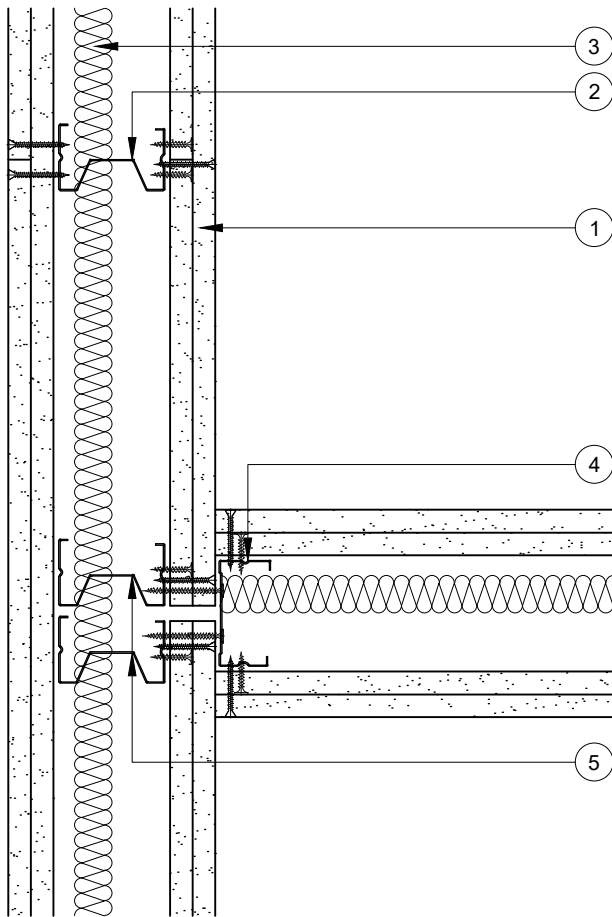


This drawing is provided to customers free of charge and the details shown are subject to the accuracy of the information provided to British Gypsum at the time the drawing was originally requested. No duty of care is owed to the recipient or any other third party and British Gypsum cannot accept liability in respect of the details shown. The drawing should therefore be approved by the project design and management authority before use to ensure that it meets with their specific project requirements. It should also be read in conjunction with British Gypsum's current literature available at www.british-gypsum.com. Taping and finishing in accordance with British Gypsum's current recommendations is assumed (with the exception of FireCase system). Please note the drawing may show British Gypsum products fixed by or to products that are non-British Gypsum products/fixings please refer to Specifying Authority for specification details. This drawing is valid at the time of issue, please check with British Gypsum for the latest version.

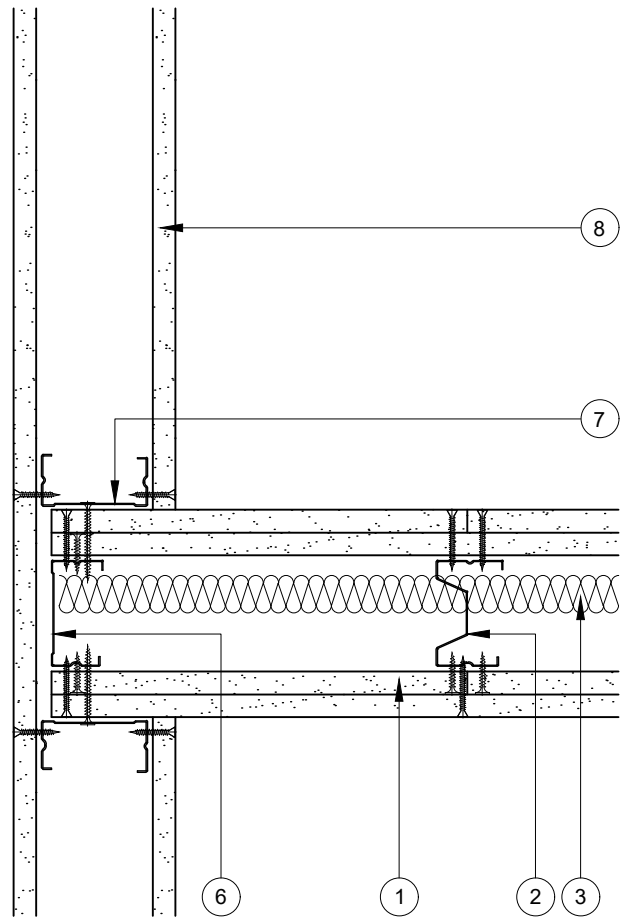
GypWall Extreme

- 1 Inner layer Gyproc plasterboard & outer layer Rigidur gypsum fibre board fixed with suitable British Gypsum screws at 300mm centres (200mm centres at external angles)
- 2 Gyproframe AcouStuds at specified centres
- 3 Isover insulation where required
- 4 Gyproframe 'C' stud fixed through board to studs with suitable British Gypsum screws at 600mm centres in 2 lines staggered by 300mm
- 5 Additional Gyproframe AcouStuds at junction
- 6 Gyproframe 'C' stud at junction (additional AcouStud for 92mm studs in adjacent partition)
- 7 Gyproframe 'C' stud fixed through board to stud(s) with suitable British Gypsum screws at 600mm centres (in 2 lines staggered by 300mm for 92mm studs)
- 8 1 layer Rigidur gypsum fibre board fixed with suitable Rigidur screws at 300mm centres (200mm centres at external angles)



T-Junction

Optimum Acoustic Performance & Reduced Flanking Transmission



T-Junction Other Partition

High Meeting Low Acoustic Performance



Technical Support Team
Tel: 0115 945 6123
british-gypsum.com

Title:

GypWall Extreme

AcouStuds and 2 Layers Board

Typical Details Read with Project Specification

Scale at A4:	Date:	Drawn:	Approved:	Dwg No.:	Rev.:
1:5	Jan 20	MRC	DRM	TY-704-Z3L2-03	