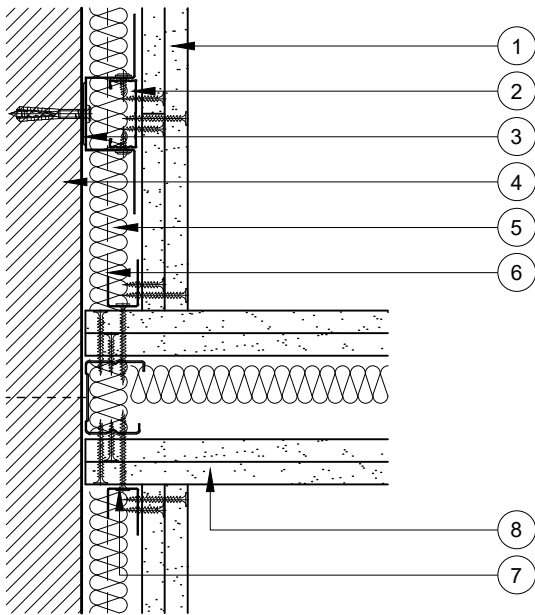


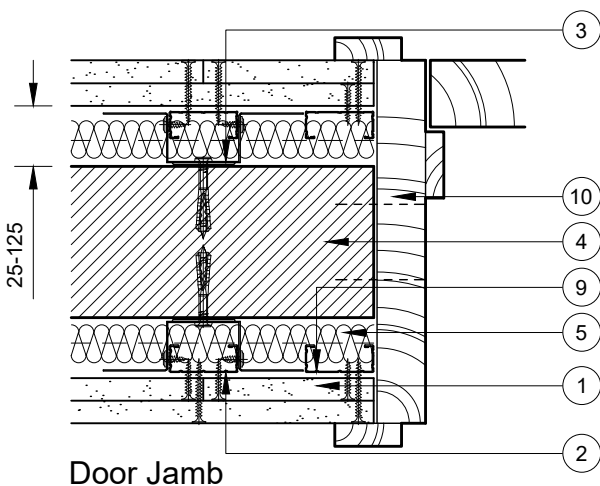
This drawing is provided to customers free of charge and the details shown are subject to the accuracy of the information provided to British Gypsum at the time the drawing was originally requested. No duty of care is owed to the recipient or any other third party and British Gypsum cannot accept liability in respect of the details shown. The drawing should therefore be approved by the project design and management authority before use to ensure that it meets with their specific project requirements. It should also be read in conjunction with British Gypsum's current literature available at www.british-gypsum.com. Taping and finishing in accordance with British Gypsum's current recommendations is assumed (with the exception of FireCase system). Please note the drawing may show British Gypsum products fixed by or to products that are non-British Gypsum products/fixings please refer to Specifying Authority for specification details. This drawing is valid at the time of issue, please check with British Gypsum for the latest version.

GypLyner Universal

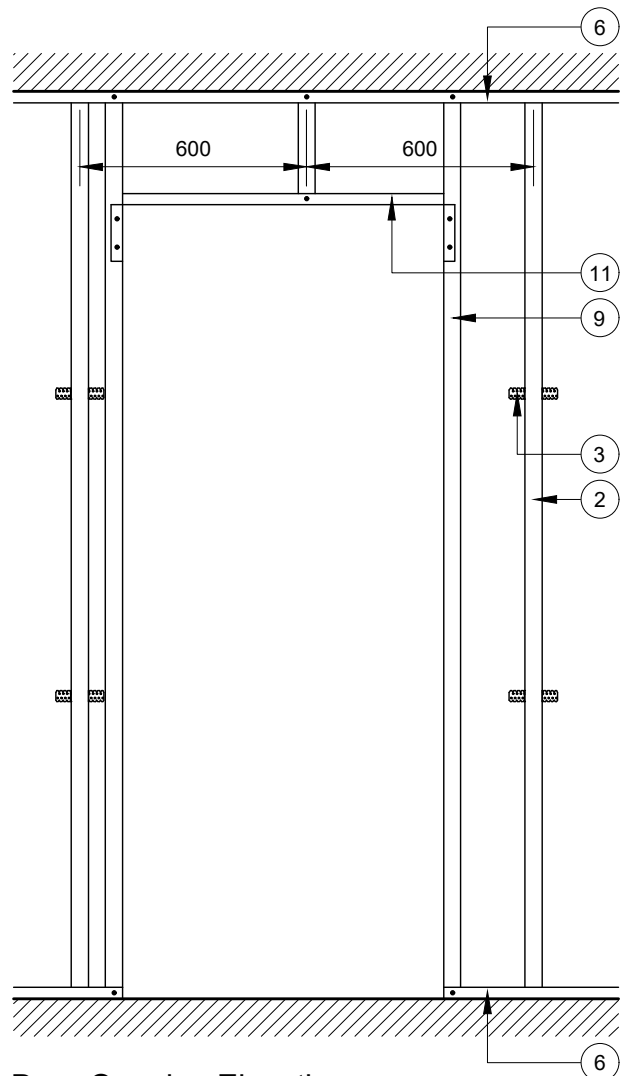
- 1 2 layers Gyproc plasterboard or Glasroc specialist board fixed with suitable British Gypsum screws at 300mm centres (200mm centres at external angles)
- 2 Gypframe GL1 Lining Channels close to corners & at 600mm centres thereafter. Lining channels extended with Gypframe GL3 Channel Connectors (not shown)
- 3 Gypframe GL2 or GL9 Brackets at 800mm centres fixed to background with Gypframe GL11 GypLyner Anchors. Legs fixed to lining channel with suitable British Gypsum wafer head screws & bent back from lining channel face
- 4 Indicative masonry background
- 5 Isover insulation where required
- 6 Gypframe GL8 Track suitably fixed to floor/soffit at 600mm centres
- 7 Gypframe GL8 Track fixed through board to stud with suitable British Gypsum screws at 600mm centres
- 8 Indicative metal stud partition suitably fixed to wall
- 9 Additional Gypframe GL1 Lining Channel fixed to track at head & base with suitable British Gypsum wafer head screws
- 10 Indicative timber door frame & architrave fixed to wall
- 11 Gypframe GL8 Track with ends snipped & bent to form 150mm legs fixed to lining channel with 2 no. suitable British Gypsum wafer head screws



Partition Abutment



Door Jamb



Door Opening Elevation



Technical Support Team
Tel: 0115 945 6123
british-gypsum.com

Title:

GypLyner Universal

2 Layers Board

Typical Details Read with Project Specification

Scale at A4: Date:

1:5 1:20

Jan 20

Drawn:

MRC

Approved:

NCL

Dwg No.:

TY-742-BRL2-02

Rev.: