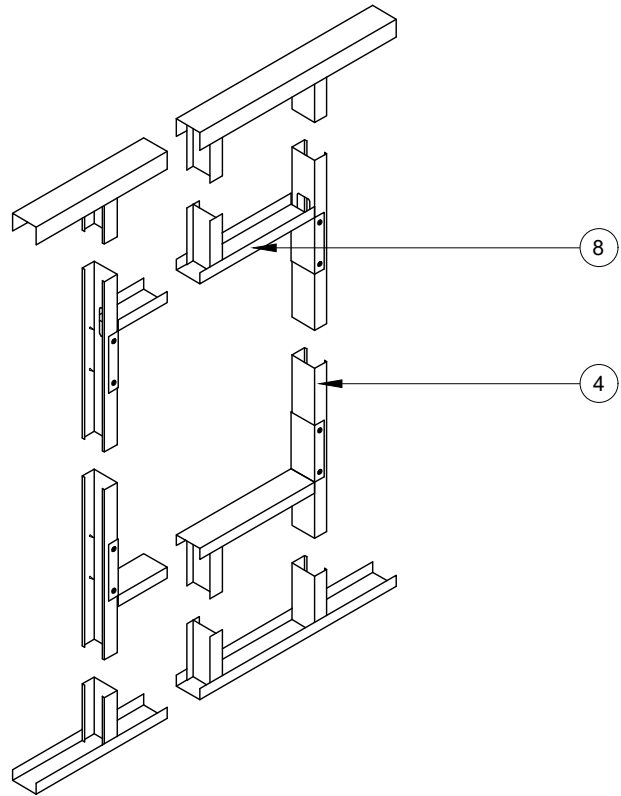


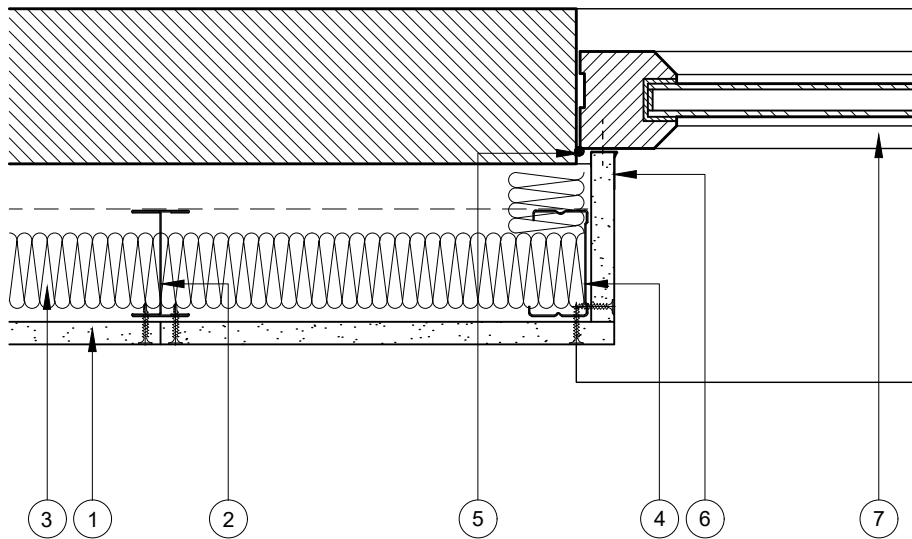
This drawing is provided to customers free of charge and the details shown are subject to the accuracy of the information provided to British Gypsum at the time the drawing was originally requested. No duty of care is owed to the recipient or any other third party and British Gypsum cannot accept liability in respect of the details shown. The drawing should therefore be approved by the project design and management authority before use to ensure that it meets with their specific project requirements. It should also be read in conjunction with British Gypsum's current literature available at www.british-gypsum.com. Taping and finishing in accordance with British Gypsum's current recommendations is assumed (with the exception of FireCase system). Please note the drawing may show British Gypsum products fixed by or to products that are non-British Gypsum products/fixings please refer to Specifying Authority for specification details. This drawing is valid at the time of issue, please check with British Gypsum for the latest version.

GypLyner IWL

- 1 1 layer Gyproc plasterboard or Glasroc specialist board fixed with suitable British Gypsum screws at 300mm centres (200mm centres at external angles)
- 2 Gyproframe 'I' studs at specified centres
- 3 Isover insulation where required
- 4 Gyproframe 'C' stud
- 5 Gyproc Sealant for optimum sound insulation
- 6 Gyproc Drywall Metal Edge Bead fixed at 600mm centres
- 7 Indicative window frame
- 8 Gyproframe Channel cut & bent to extend 150mm down stud & fixed through both flanges with 2 no. suitable British Gypsum wafer head screws



Opening Width up to 1200mm



Window Reveal

Principles Apply to Door Reveal



Technical Support Team
Tel: 0115 945 6123
british-gypsum.com

Title:

GypLyner IWL

'I' Studs and 1 Layer Board

Typical Details Read with Project Specification

Scale at A4:	Date:	Drawn:	Approved:	Dwg No.:	Rev.:
1:5 1:20	Jan 20	MRC	NCL	TY-743-Z2L1-05	