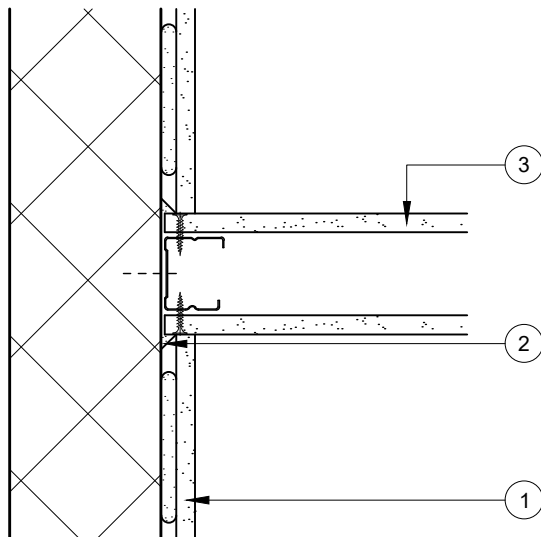


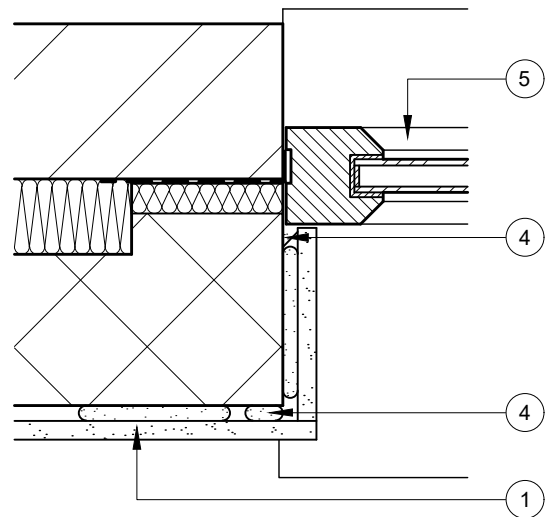
This drawing is provided to customers free of charge and the details shown are subject to the accuracy of the information provided to British Gypsum at the time the drawing was originally requested. No duty of care is owed to the recipient or any other third party and British Gypsum cannot accept liability in respect of the details shown. The drawing should therefore be approved by the project design and management authority before use to ensure that it meets with their specific project requirements. It should also be read in conjunction with British Gypsum's current literature available at www.british-gypsum.com. Taping and finishing in accordance with British Gypsum's current recommendations is assumed (with the exception of FireCase system). Please note the drawing may show British Gypsum products fixed by or to products that are non-British Gypsum products/fixings please refer to Specifying Authority for specification details. This drawing is valid at the time of issue, please check with British Gypsum for the latest version.

DriLyner Basic

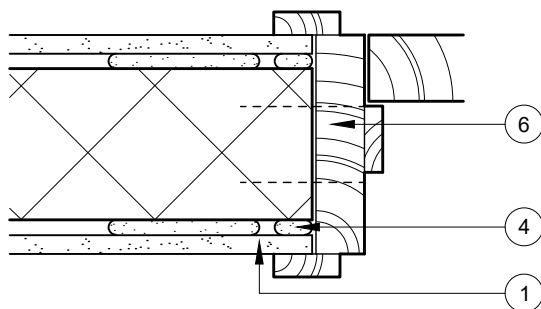
- 1 Gyproc plasterboard fixed with dabs of Gyproc DriWall Adhesive (50-75mm wide & 250mm long) in 3 vertical lines (4 vertical lines for 9.5mm board 1200mm width)
- 2 Continuous fillet of Gyproc DriWall Adhesive at perimeter
- 3 Indicative metal stud partition suitably fixed to wall
- 4 Continuous fillet of Gyproc DriWall Adhesive around door or window opening perimeter
- 5 Indicative window frame
- 6 Indicative timber door frame & architrave fixed to wall



Partition Abutment



Window Reveal



Door Jamb



Technical Support Team
Tel: 0115 945 6123
british-gypsum.com

Title:
DriLyner Basic
1 Layer Board
Typical Details Read with Project Specification

Scale at A4:	Date:	Drawn:	Approved:	Dwg No.:	Rev.:
1:5	Jan 20	MRC	NCL	TY-741-BAPB-02	