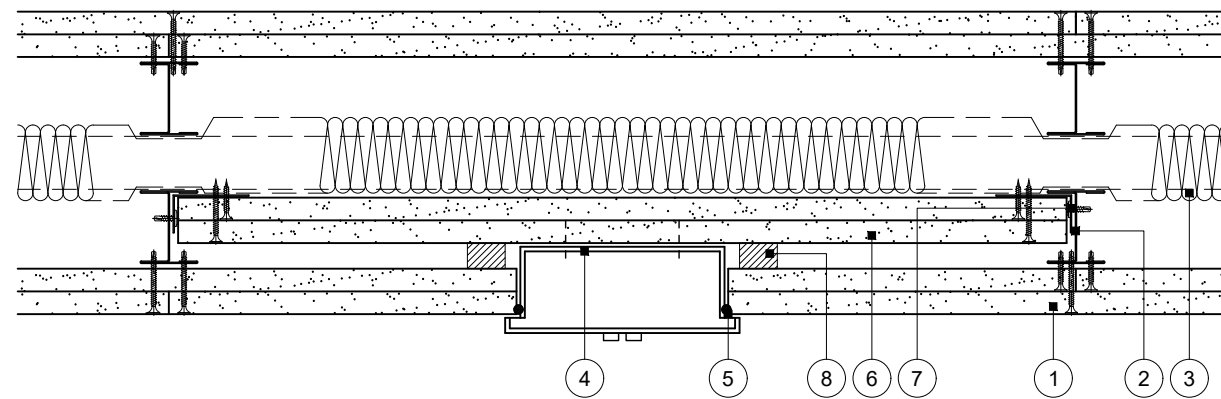


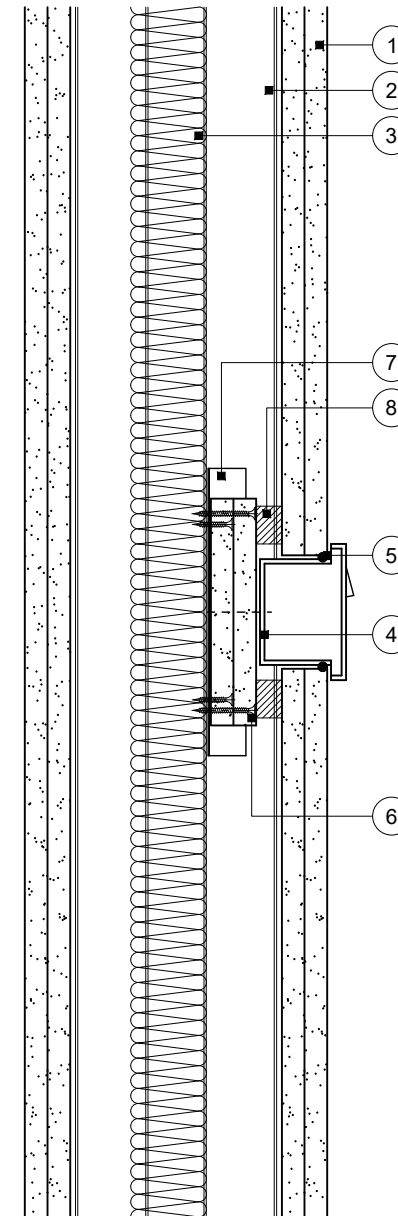
# Construction Detail

This drawing provides guidance to achieve indicative performance criteria for specific design conditions

## GypWall Twin Frame Independent



Plan



Section

- 1 Two layers Gyproc plasterboard or Glasroc specialist board fixed with suitable British Gypsum screws at 300mm centres (200mm centres at external angles)
- 2 Two lines of Gypframe 'I' studs at specified centres
- 3 Isover insulation where required
- 4 Indicative metal back socket box fitted tight into board and suitably fixed to board baffle
- 5 Socket box perimeter sealed with Gyproc Sealant
- 6 Two layers board (equal to partition lining) forming nominal 150mm high baffle fixed to angles with suitable British Gypsum screws
- 7 Nominal 150mm length of Gypframe GA4 Steel Angle fixed to stud/channel with two suitable British Gypsum wafer head screws
- 8 Suitable fire resistant seal where required by Approved Document B of the Building Regulations

### Important information

- Fire resistance BS EN 1364-1
- Up to 120 minutes through partition subject to specification

The exact construction depicted on this drawings has not been tested and any performance characteristics, stated or inferred, are estimated based on other relevant test data. The drawing should be approved by the project design and management authority before use to ensure that it meets with their specific project requirements

### Electrical socket box with board baffle

To maintain system acoustic performance

Title: Construction detail

Scale at A3: 1:5

Drawn: MRC

Date: December 2021

Approved: MKF JMC

Dwg No.: CN-623-005

Revision:

Technical Support Team | british-gypsum.com

This drawing is provided to customers free of charge and the details shown are subject to the accuracy of the information provided to British Gypsum at the time the drawing was originally requested. The drawing should therefore be approved by the project design and management authority before use to ensure that it meets with their specific project requirements. It should also be read in conjunction with British Gypsum's current literature available at www.british-gypsum.com. Taping and finishing in accordance with British Gypsum's current recommendations is assumed (with the exception of FireCase system). Please note the drawing may show British Gypsum products fixed by or to products that are non-British Gypsum products/fixings please refer to Specifying Authority for specification details. This drawing is valid at the time of issue, please check with British Gypsum for the latest version. No duty of care is owed to the recipient or any third party and British Gypsum excludes all liability in respect of the details shown save where death or personal injury is caused due to British Gypsum's negligence or for fraud.