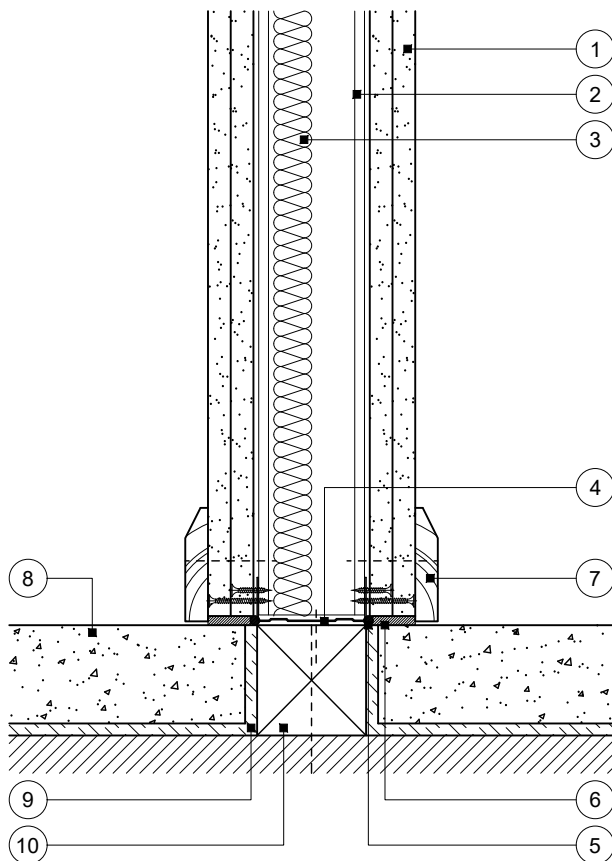


Construction Detail

This drawing provides guidance to achieve indicative performance criteria for specific design conditions

GypWall Single Frame

- 1 Two layers Gyproc plasterboard or Glasroc specialist board fixed with suitable British Gypsum screws at 300mm centres (200mm centres at external angles)
- 2 Gypframe 'C' studs at specified centres
- 3 Isover insulation where required
- 4 Gypframe Channel suitably fixed to timber sole plate at 600mm centres (in two lines staggered by 300mm for 94mm and 148mm channels). Deep Channel for heights between 4200mm and 8000mm or Extra Deep Channel for heights over 8000mm
- 5 Gyproc Sealant for optimum sound insulation
- 6 Gyproc jointing material bulk fill where gap exceeds 5mm
- 7 Indicative skirting
- 8 Indicative screed
- 9 Indicative resilient layer
- 10 Channel width timber base plate suitably fixed to floor



! Important information

Fire resistance BS EN 1364-1

- 30 or 60 minutes through partition subject to specification

Base with timber sole plate in screed

Title: Construction detail

Scale at A4: 1:5

Drawn: MRC

Date: December 2021

Approved: MKF JMC

Dwg No.: CN-121-029

Revision:

Technical Support Team | british-gypsum.com

This drawing is provided to customers free of charge and the details shown are subject to the accuracy of the information provided to British Gypsum at the time the drawing was originally requested. The drawing should therefore be approved by the project design and management authority before use to ensure that it meets with their specific project requirements. It should also be read in conjunction with British Gypsum's current literature available at www.british-gypsum.com. Taping and finishing in accordance with British Gypsum's current recommendations is assumed (with the exception of FireCase system). Please note the drawing may show British Gypsum products fixed by or to products that are non-British Gypsum products/fixings please refer to Specifying Authority for specification details. This drawing is valid at the time of issue, please check with British Gypsum for the latest version. No duty of care is owed to the recipient or any third party and British Gypsum excludes all liability in respect of the details shown save where death or personal injury is caused due to British Gypsum's negligence or for fraud.