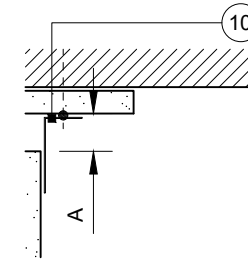


Construction Detail

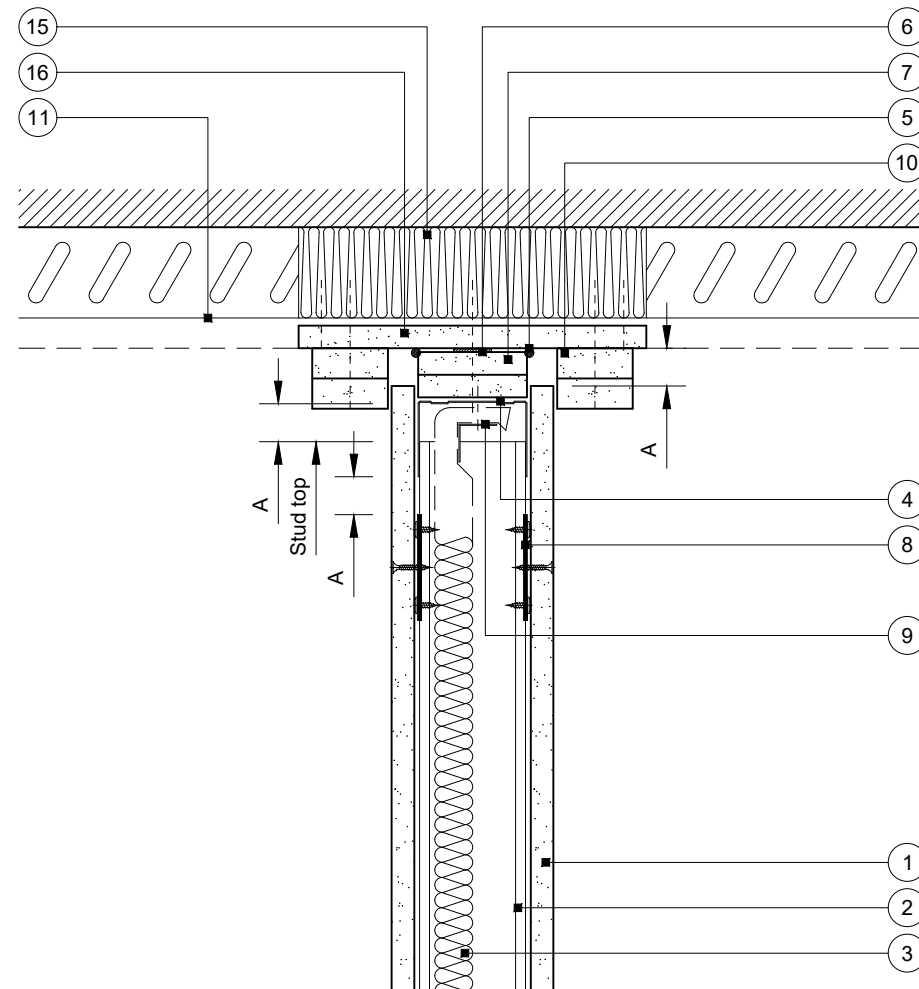
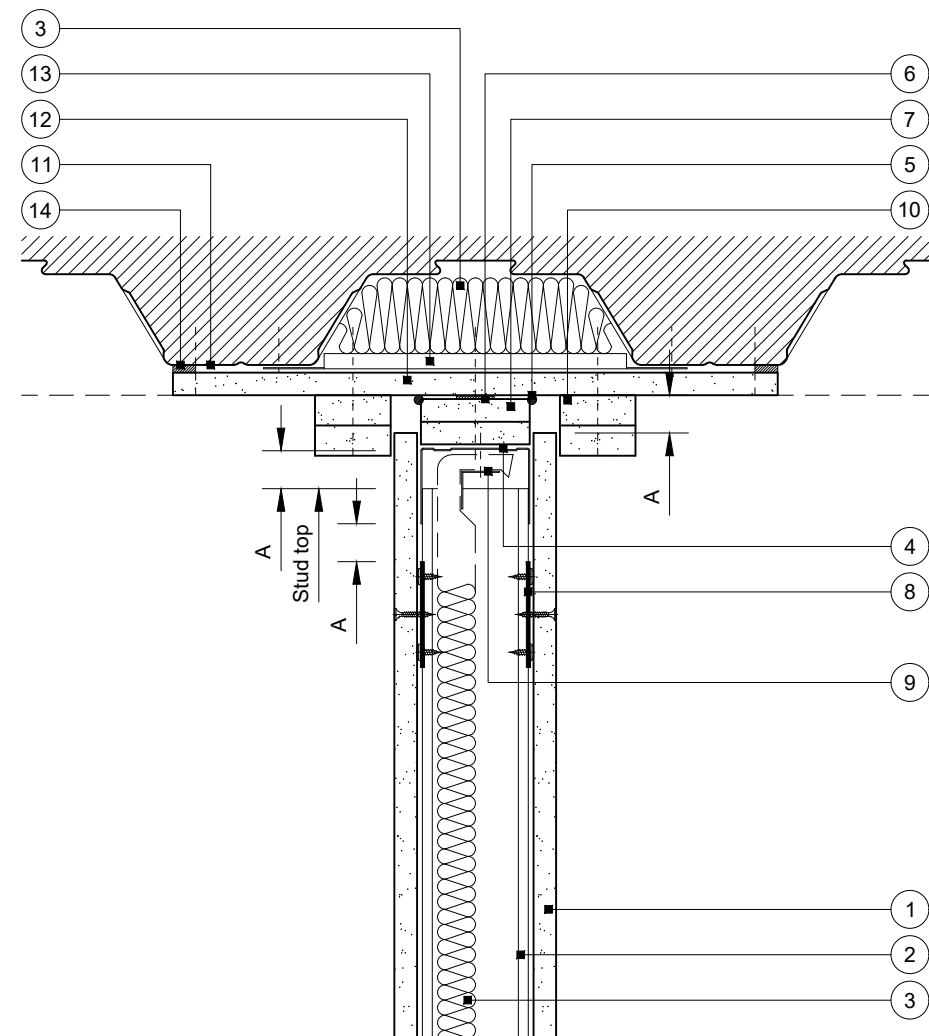
This drawing provides guidance to achieve indicative performance criteria for specific design conditions

GypWall Single Frame and GypWall Single Frame Enhanced

- | | | |
|--|--|---|
| <ol style="list-style-type: none"> 1 One layer Gyproc plasterboard or Glasroc specialist board fixed with suitable British Gypsum screws at 300mm centres (200mm centres at external angles) 2 Gyframe stud type and centres as specified 3 Isover insulation where required 4 Gyframe Deep Channel or Extra Deep Channel (see table) suitably fixed through board to fixing channel or soffit at 600mm centres (in two lines staggered by 300mm for 94mm and 148mm channels) 5 Gyproc Sealant for optimum sound insulation 6 Gyproc FireStrip | <ol style="list-style-type: none"> 7 One or two channel width strip(s) of board (see table). Two strips pre-fixed to channel with suitable British Gypsum screws at 600mm centres 8 Gyframe GFS1 Fixing Strap fixed to each stud with two suitable British Gypsum wafer head screws to receive uppermost board fixings (no fixings into head channel) 9 Gyframe steel angle or timber batten suitably fixed to channel to retain insulation where required 10 Two 50mm width strips of Glasroc F FireCase fixed through board to fixing channel or soffit with suitable fire resistant fixings at 600mm centres, or Gyframe GA4 Steel Angle bedded on bead of Gyproc Sealant and fixed through board to fixing channel or soffit with suitable fire resistant fixings at 600mm centres (see table) | <ol style="list-style-type: none"> 11 Profile sheet decking 12 15mm Glasroc F FireCase suitably fixed to soffit at 150mm centres (min. 50mm overlap on soffit) 13 Gyframe 99 FC 50 Fixing Channel at 600mm centres (300mm centres for 94mm and 148mm channels) suitably fixed to soffit (flanges snipped and bent flat to facilitate fixing) 14 Fire resistant sealant manufactured and supplied by others 15 Suitable fire stopping material by others (see important information) 16 Packer of 15mm Glasroc F FireCase suitably fixed to soffit |
|--|--|---|



Alternative cloaking detail



DEFLECTION (VERTICAL) HEAD DESIGN

DEFLECTION DIM. A	DROPPED SOFFIT NOTE 7	CHANNEL NOTE 4	CLOAKING ELEMENT NOTE 10
1-15mm	One 19mm ^A or 20mm ^B	DC	Two 15mm ^B or GA4
16-20mm	Two 15mm ^B	DC	Two 15mm ^B or GA4
21-25mm	Two 15mm ^B	DC	Two 20mm ^B or GA4
26-30mm	Two 20mm ^B	DC	Two 20mm ^B
31-35mm	Two 20mm ^B	EDC	Two 25mm ^B
36-40mm	Two 25mm ^B	EDC	Two 25mm ^B
41-45mm	Two 25mm ^B	EDC	Two 30mm ^B
46-50mm	Two 30mm ^B	EDC	Two 30mm ^B

^A Gyproc CoreBoard
^B Glasroc F FireCase

Important information

- Fire resistance BS EN 1364-1
- 30 or 60 minutes through partition subject to specification
 - Estimated 30 or 60 minutes room to room through junction subject to partition specification

Performance is based on maintaining compartmentation through the British Gypsum partition up to the line of the abutting structural element. This is on the basis the structural element has at least the equivalent fire resistance performance to that of the partition. The drawing should be approved by the project design and management authority before use to ensure that it meets with their specific project requirements

Performance characteristics of the British Gypsum system must be maintained. It is important that a suitable fire stopping product with appropriate fire resistance substantiation is sought from a third party manufacturer

Deflection head parallel and perpendicular to trapezoidal profile soffit

Downward (vertical) movement

Rev. A 03.08.22 Annotation update (AJC)

Title: Construction detail

Scale at A3: 1:5

Drawn: MRC

Date: December 2021

Approved: MKF JMC

Dwg No.: CN-121-001

Revision: A

Technical Support Team | british-gypsum.com

This drawing is provided to customers free of charge and the details shown are subject to the accuracy of the information provided to British Gypsum at the time the drawing was originally requested. The drawing should therefore be approved by the project design and management authority before use to ensure that it meets with their specific project requirements. It should also be read in conjunction with British Gypsum's current literature available at www.british-gypsum.com. Taping and finishing in accordance with British Gypsum's current recommendations is assumed (with the exception of FireCase system). Please note the drawing may show British Gypsum products fixed by or to products that are non-British Gypsum products/fixings please refer to Specifying Authority for specification details. This drawing is valid at the time of issue, please check with British Gypsum for the latest version. No duty of care is owed to the recipient or any third party and British Gypsum excludes all liability in respect of the details shown save where death or personal injury is caused due to British Gypsum's negligence or for fraud.