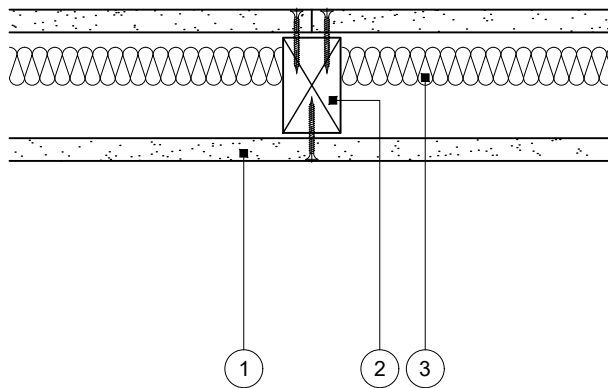


# Standard Detail

This drawing provides general guidance where no performance criteria is given and site specific conditions are not taken into account

## Timber stud partition

- 1 One layer Gyproc plasterboard or Glasroc specialist board fixed with suitable British Gypsum screws at 300mm centres (200mm centres at external angles)
- 2 Timber studs at specified centres
- 3 Isover insulation where required



## Intermediate stud

**Title:** Timber Stud Partition  
One layer board  
Standard details read with project specification

**Scale at A4:** 1:5  
**Date:** April 2024  
**Dwg No.:** ST-133-ZAL1-01

**Drawn:** MRC  
**Approved:** MBH  
**Revision:**

**Technical Support Team | [british-gypsum.com](http://british-gypsum.com)**

This drawing is provided to customers free of charge and the details shown are subject to the accuracy of the information provided to British Gypsum at the time the drawing was originally requested. The drawing should therefore be approved by the project design and management authority before use to ensure that it meets with their specific project requirements. It should also be read in conjunction with British Gypsum's current literature available at [www.british-gypsum.com](http://www.british-gypsum.com). Taping and finishing in accordance with British Gypsum's current recommendations is assumed (with the exception of FireCase system). Please note the drawing may show British Gypsum products fixed by or to products that are non-British Gypsum products/fixings please refer to Specifying Authority for specification details. This drawing is valid at the time of issue, please check with British Gypsum for the latest version. No duty of care is owed to the recipient or any third party and British Gypsum excludes all liability in respect of the details shown save where death or personal injury is caused due to British Gypsum's negligence or for fraud.