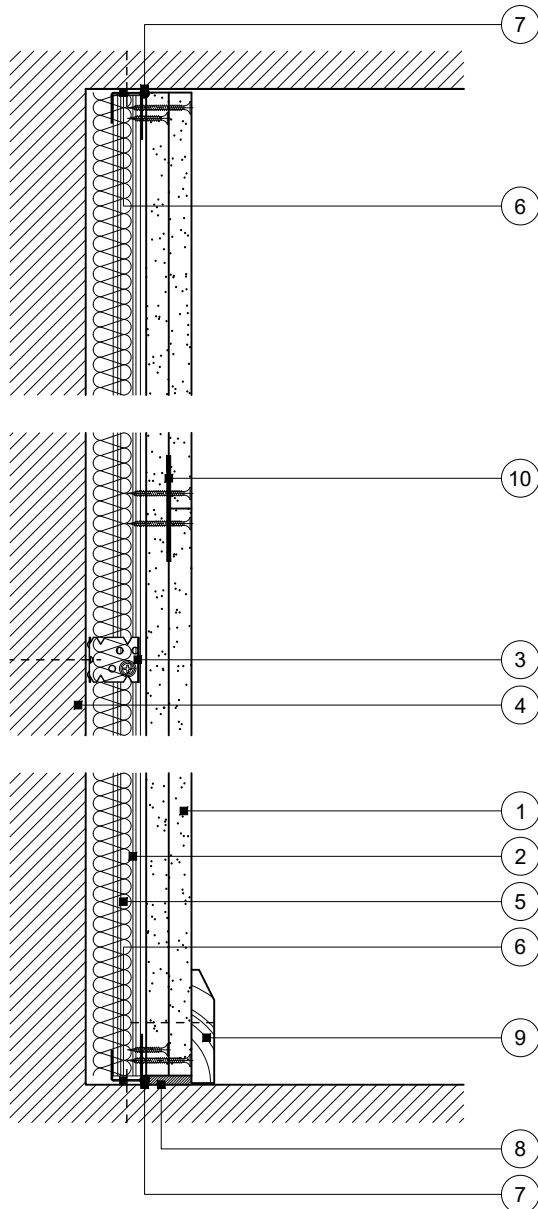


Standard Detail

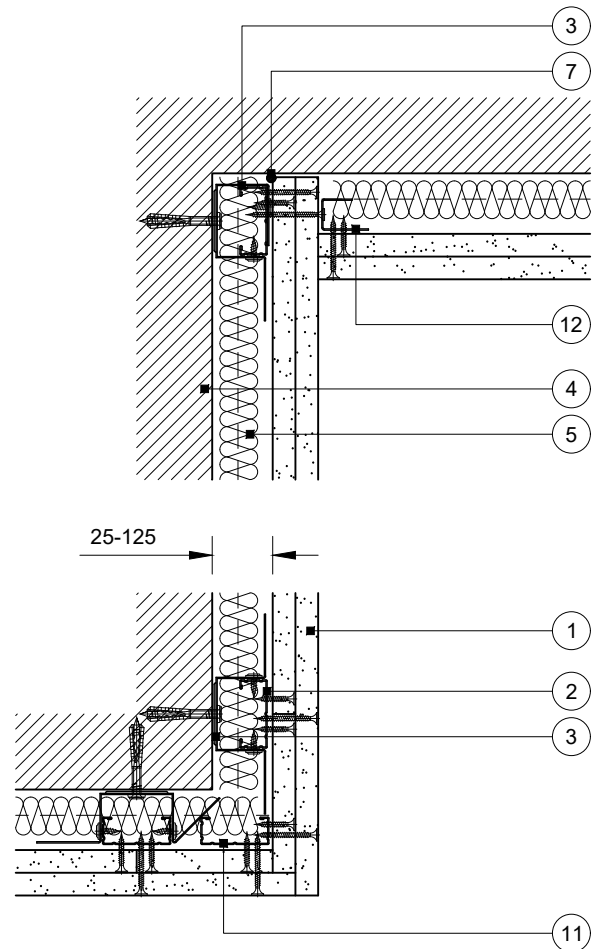
This drawing provides general guidance where no performance criteria is given and site specific conditions are not taken into account

GypLyner Single

- 1 Two layers Gyproc plasterboard or Glasroc specialist board fixed with suitable British Gypsum screws at 300mm centres (200mm centres at external angles)
- 2 Gypframe GL1 Lining Channels close to corners and at 600mm centres thereafter. Lining channels extended with Gypframe GL3 Channel Connectors (not shown)
- 3 Gypframe GL2 or GL9 Brackets at 800mm centres fixed to background with Gypframe GL11 GypLyner Anchors. Legs fixed to lining channel with suitable British Gypsum wafer head screws and bent back from lining channel face. For internal corners leg bent across lining channel face and fixed with suitable British Gypsum wafer head screws
- 4 Indicative masonry background
- 5 Isover insulation where required
- 6 Gypframe GL8 Track suitably fixed to floor/soffit at 600mm centres
- 7 Gyproc Sealant for optimum sound insulation
- 8 Gyproc jointing material bulk fill where gap exceeds 5mm
- 9 Indicative skirting
- 10 Gypframe GFS1 Fixing Strap progressively inserted between board layers to support outer layer horizontal board joints
- 11 Additional Gypframe GL1 Lining Channel fixed to track at head and base with suitable British Gypsum wafer head screws
- 12 Gypframe GL8 Track fixed through board to lining channel with suitable British Gypsum screws at 600mm centres



Base and head



External and internal corners

Title: GypLyner Single
Two layers board
Standard details read with project specification

Scale at A4: 1:5
Date: October 2021
Dwg No.: ST-223-BRL2-01

Drawn: MRC
Approved: NCL
Revision:

Technical Support Team | british-gypsum.com

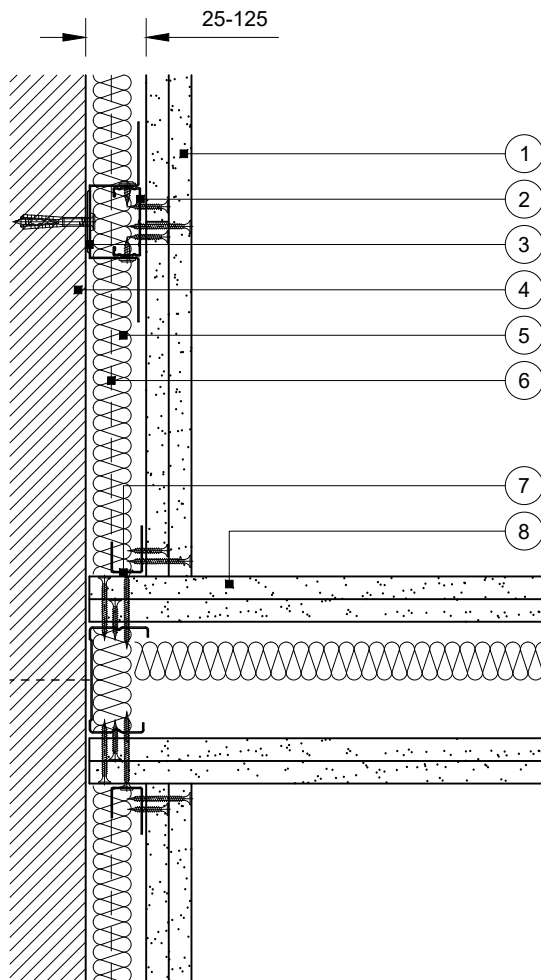
This drawing is provided to customers free of charge and the details shown are subject to the accuracy of the information provided to British Gypsum at the time the drawing was originally requested. The drawing should therefore be approved by the project design and management authority before use to ensure that it meets with their specific project requirements. It should also be read in conjunction with British Gypsum's current literature available at www.british-gypsum.com. Taping and finishing in accordance with British Gypsum's current recommendations is assumed (with the exception of FireCase system). Please note the drawing may show British Gypsum products fixed by or to products that are non-British Gypsum products/fixings please refer to Specifying Authority for specification details. This drawing is valid at the time of issue, please check with British Gypsum for the latest version. No duty of care is owed to the recipient or any third party and British Gypsum excludes all liability in respect of the details shown save where death or personal injury is caused due to British Gypsum's negligence or for fraud.

Standard Detail

This drawing provides general guidance where no performance criteria is given and site specific conditions are not taken into account

GypLyner Single

- 1 Two layers Gyproc plasterboard or Glasroc specialist board fixed with suitable British Gypsum screws at 300mm centres (200mm centres at external angles)
- 2 Gypframe GL1 Lining Channels at 600mm centres. Lining channels extended with Gypframe GL3 Channel Connectors (not shown)
- 3 Gypframe GL2 or GL9 Brackets at 800mm centres fixed to background with Gypframe GL11 GypLyner Anchors. Legs fixed to lining channel with suitable British Gypsum wafer head screws and bent back from lining channel face
- 4 Indicative masonry background
- 5 Isover insulation where required
- 6 Gypframe GL8 Track suitably fixed to floor/soffit at 600mm centres
- 7 Gypframe GL8 Track fixed through board to stud with suitable British Gypsum screws at 600mm centres
- 8 Indicative metal stud partition suitably fixed to wall



Partition abutment

Title: GypLyner Single
Two layers board
Standard details read with project specification

Scale at A4: 1:5
Date: October 2021
Dwg No.: ST-223-BRL2-02

Drawn: MRC
Approved: NCL
Revision:

Technical Support Team | british-gypsum.com

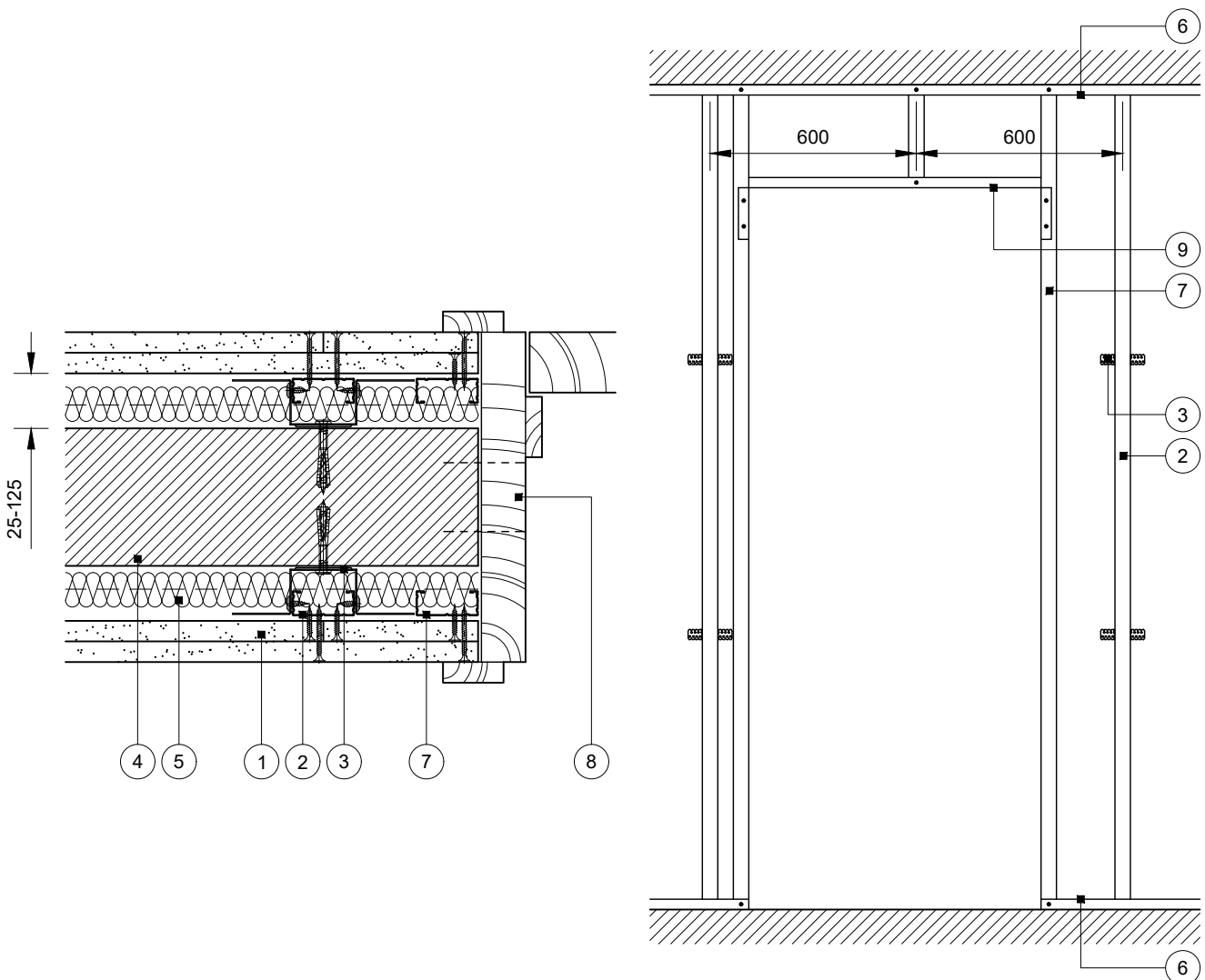
This drawing is provided to customers free of charge and the details shown are subject to the accuracy of the information provided to British Gypsum at the time the drawing was originally requested. The drawing should therefore be approved by the project design and management authority before use to ensure that it meets with their specific project requirements. It should also be read in conjunction with British Gypsum's current literature available at www.british-gypsum.com. Taping and finishing in accordance with British Gypsum's current recommendations is assumed (with the exception of FireCase system). Please note the drawing may show British Gypsum products fixed by or to products that are non-British Gypsum products/fixings please refer to Specifying Authority for specification details. This drawing is valid at the time of issue, please check with British Gypsum for the latest version. No duty of care is owed to the recipient or any third party and British Gypsum excludes all liability in respect of the details shown save where death or personal injury is caused due to British Gypsum's negligence or for fraud.

Standard Detail

This drawing provides general guidance where no performance criteria is given and site specific conditions are not taken into account

GypLyner Single

- 1 Two layers Gyproc plasterboard or Glasroc specialist board fixed with suitable British Gypsum screws at 300mm centres (200mm centres at external angles)
- 2 Gypframe GL1 Lining Channels close to opening and at 600mm centres thereafter. Lining channels extended with Gypframe GL3 Channel Connectors (not shown)
- 3 Gypframe GL2 or GL9 Brackets at 800mm centres fixed to background with Gypframe GL11 GypLyner Anchors. Legs fixed to lining channel with suitable British Gypsum wafer head screws and bent back from lining channel face
- 4 Indicative masonry background
- 5 Isover insulation where required
- 6 Gypframe GL8 Track suitably fixed to floor/soffit at 600mm centres
- 7 Additional Gypframe GL1 Lining Channel fixed to track at head and base with suitable British Gypsum wafer head screws
- 8 Indicative timber door frame and architrave fixed to wall
- 9 Gypframe GL8 Track with ends snipped and bent to form 150mm legs fixed to lining channel with two suitable British Gypsum wafer head screws



Door Jamb

Door opening elevation

Title: GypLyner Single
Two layers board
Standard details read with project specification

Scale at A4: 1:5 1:20
Date: October 2021
Dwg No.: ST-223-BRL2-03

Drawn: MRC
Approved: NCL
Revision:

Technical Support Team | british-gypsum.com

This drawing is provided to customers free of charge and the details shown are subject to the accuracy of the information provided to British Gypsum at the time the drawing was originally requested. The drawing should therefore be approved by the project design and management authority before use to ensure that it meets with their specific project requirements. It should also be read in conjunction with British Gypsum's current literature available at www.british-gypsum.com. Taping and finishing in accordance with British Gypsum's current recommendations is assumed (with the exception of FireCase system). Please note the drawing may show British Gypsum products fixed by or to products that are non-British Gypsum products/fixings please refer to Specifying Authority for specification details. This drawing is valid at the time of issue, please check with British Gypsum for the latest version. No duty of care is owed to the recipient or any third party and British Gypsum excludes all liability in respect of the details shown save where death or personal injury is caused due to British Gypsum's negligence or for fraud.