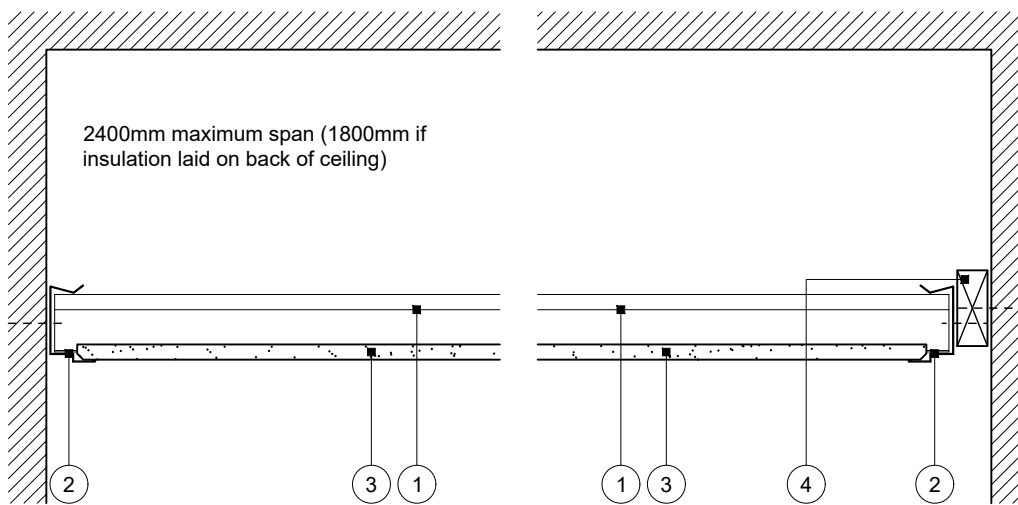


Standard Detail

This drawing provides general guidance where no performance criteria is given and site specific conditions are not taken into account

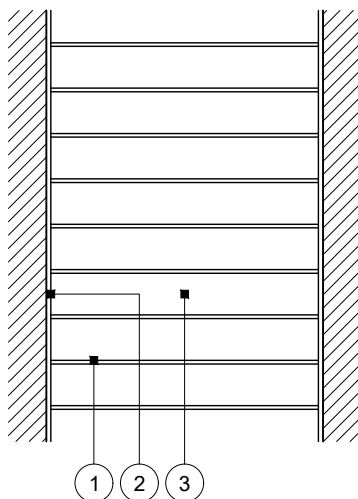
GypCeiling Corridor

- 1 CasoLine Quick-Lock Corridor Main Tee at 300mm centres
- 2 CasoLine Quick-Lock Shadowline suitably fixed to wall/batten at 300mm centres
- 3 Gypsum planks with edge profile E/B
- 4 Timber batten suitably fixed to wall



Perimeter option 1

Perimeter option 2



Corridor layout

300mm module

Title: GypCeiling Corridor
Plank edge profile E/B
Standard details read with project specification

Scale at A4: 1:5
Date: October 2021
Dwg No.: ST-327-ZZEB-01

Drawn: MRC
Approved: MBH
Revision:

Technical Support Team | british-gypsum.com

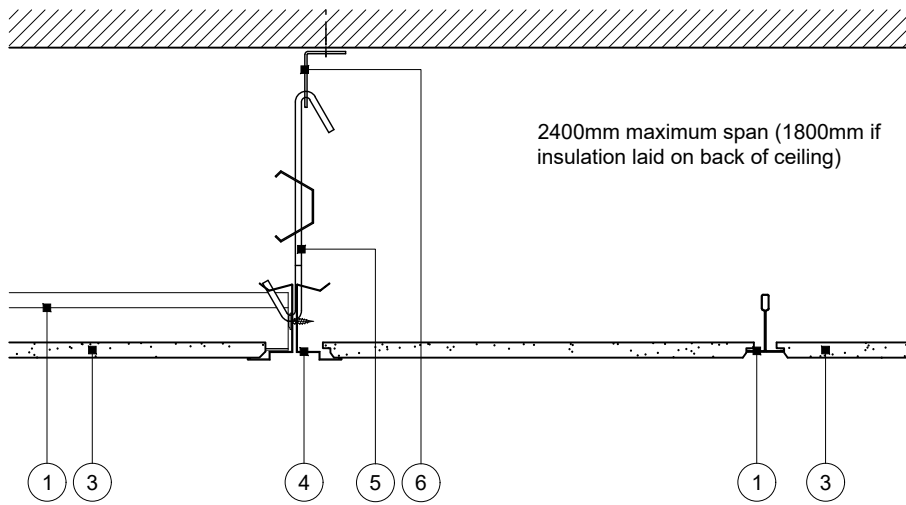
This drawing is provided to customers free of charge and the details shown are subject to the accuracy of the information provided to British Gypsum at the time the drawing was originally requested. The drawing should therefore be approved by the project design and management authority before use to ensure that it meets with their specific project requirements. It should also be read in conjunction with British Gypsum's current literature available at www.british-gypsum.com. Taping and finishing in accordance with British Gypsum's current recommendations is assumed (with the exception of FireCase system). Please note the drawing may show British Gypsum products fixed by or to products that are non-British Gypsum products/fixings please refer to Specifying Authority for specification details. This drawing is valid at the time of issue, please check with British Gypsum for the latest version. No duty of care is owed to the recipient or any third party and British Gypsum excludes all liability in respect of the details shown save where death or personal injury is caused due to British Gypsum's negligence or for fraud.

Standard Detail

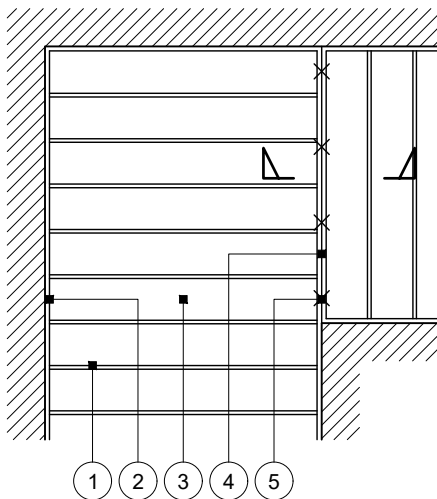
This drawing provides general guidance where no performance criteria is given and site specific conditions are not taken into account

GypCeiling Corridor

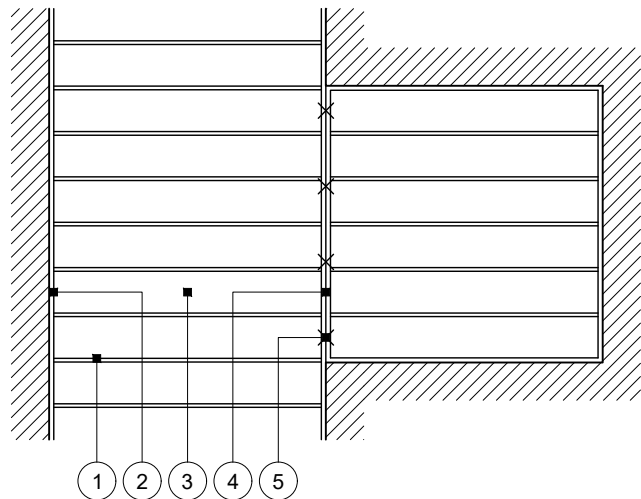
- 1 CasoLine Quick-Lock Corridor Main Tee at 300mm centres
- 2 CasoLine Quick-Lock Shadowline suitably fixed to wall at 300mm centres
- 3 Gypsum planks with edge profile E/B
- 4 Transition section formed using CasoLine Quick-Lock Grid Shadowline fixed back to back with suitable British Gypsum wafer head screws at 300mm centres. Ends suitably fixed to wall via Gypframe MF12 Soffit Cleat
- 5 CasoLine Quick-Lock Grid Hanger or suspension wire (14 SWG) by others at 600mm centres and max. 300mm centres from perimeter. Top leg of shadowline notched to aid attachment
- 6 Gypframe MF12 Soffit Cleat suitably fixed to soffit



Section



Corridor corner layout
300mm module



Corridor alcove layout
300mm module

Title: GypCeiling Corridor
Plank edge profile E/B
Standard details read with project specification

Scale at A4: 1:5
Date: October 2021
Dwg No.: ST-327-ZZEB-02

Drawn: MRC
Approved: MBH
Revision:

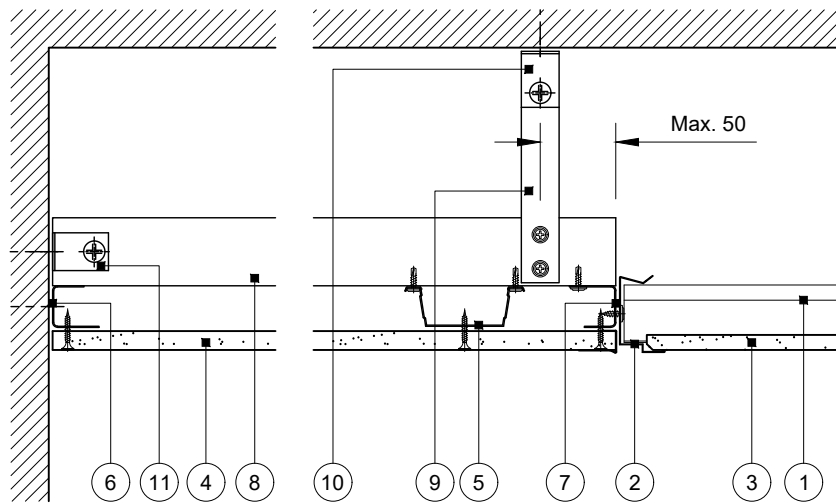
Technical Support Team | british-gypsum.com

This drawing is provided to customers free of charge and the details shown are subject to the accuracy of the information provided to British Gypsum at the time the drawing was originally requested. The drawing should therefore be approved by the project design and management authority before use to ensure that it meets with their specific project requirements. It should also be read in conjunction with British Gypsum's current literature available at www.british-gypsum.com. Taping and finishing in accordance with British Gypsum's current recommendations is assumed (with the exception of FireCase system). Please note the drawing may show British Gypsum products fixed by or to products that are non-British Gypsum products/fixings please refer to Specifying Authority for specification details. This drawing is valid at the time of issue, please check with British Gypsum for the latest version. No duty of care is owed to the recipient or any third party and British Gypsum excludes all liability in respect of the details shown save where death or personal injury is caused due to British Gypsum's negligence or for fraud.

This drawing provides general guidance where no performance criteria is given and site specific conditions are not taken into account

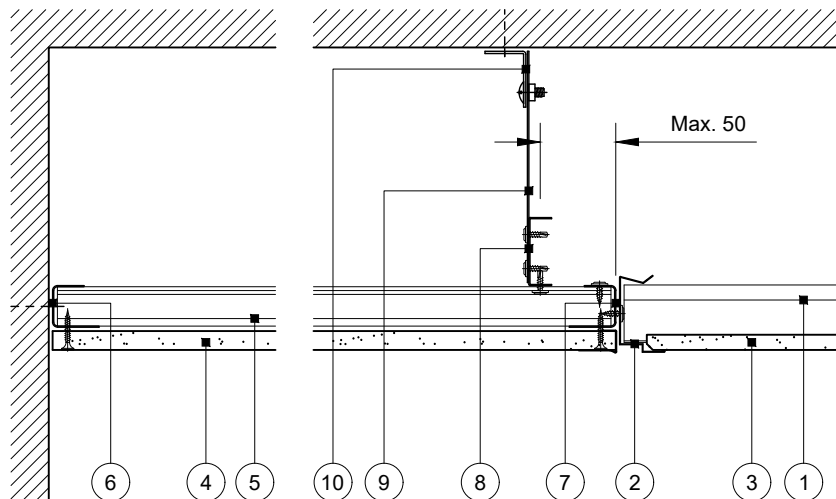
GypCeiling Corridor

- | | |
|--|---|
| <ol style="list-style-type: none"> 1 CasoLine Quick-Lock Corridor Main Tee at 300mm centres 2 CasoLine Quick-Lock Shadowline fixed to MF6 with suitable British Gypsum wafer head screws at 300mm centres 3 Gypsum planks with edge profile E/B 4 One layer Gyproc plasterboard or Glasroc specialist board fixed with suitable British Gypsum screws at 230mm centres in field of board and 150mm centres at board ends 5 Gypframe MF5 Ceiling Sections at max. 450mm centres fixed to each MF7 with two suitable British Gypsum wafer head screws or MF9 Connecting Clip 6 Gypframe MF6 Perimeter Channel suitably fixed to wall at 600mm centres 7 Gypframe MF6 Perimeter Channel fixed to each MF5/MF7 with suitable British Gypsum wafer head screws | <ol style="list-style-type: none"> 8 Gypframe MF7 Primary Support Channels at 1200mm centres 9 Gypframe MF8 Strap Hanger or FEA1 Steel Angle hangers at 1200mm centres fixed to MF7 with two suitable British Gypsum wafer head screws 10 Gypframe MF12 Soffit Cleat fixed to hanger with MF11 Nut and Bolt and suitably fixed to soffit 11 Gypframe MF12 Soffit Cleat fixed to MF7 with MF11 Nut and Bolt and suitably fixed to wall (not required if min. two hangers used) |
|--|---|



Plasterboard ceiling junction 1

MF5 parallel to wall



Plasterboard ceiling junction 2

MF5 perpendicular to wall

Title: GypCeiling Corridor
Plank edge profile E/B
Standard details read with project specification

Scale at A4: 1:5
Date: October 2021
Dwg No.: ST-327-ZZEB-03

Drawn: MRC
Approved: MBH
Revision:

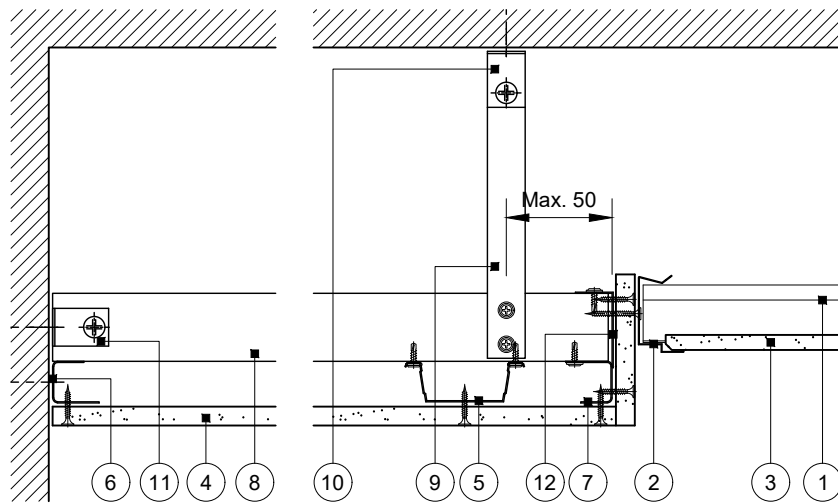
Technical Support Team | british-gypsum.com

This drawing is provided to customers free of charge and the details shown are subject to the accuracy of the information provided to British Gypsum at the time the drawing was originally requested. The drawing should therefore be approved by the project design and management authority before use to ensure that it meets with their specific project requirements. It should also be read in conjunction with British Gypsum's current literature available at www.british-gypsum.com. Taping and finishing in accordance with British Gypsum's current recommendations is assumed (with the exception of FireCase system). Please note the drawing may show British Gypsum products fixed by or to products that are non-British Gypsum products/fixings please refer to Specifying Authority for specification details. This drawing is valid at the time of issue, please check with British Gypsum for the latest version. No duty of care is owed to the recipient or any third party and British Gypsum excludes all liability in respect of the details shown save where death or personal injury is caused due to British Gypsum's negligence or for fraud.

This drawing provides general guidance where no performance criteria is given and site specific conditions are not taken into account

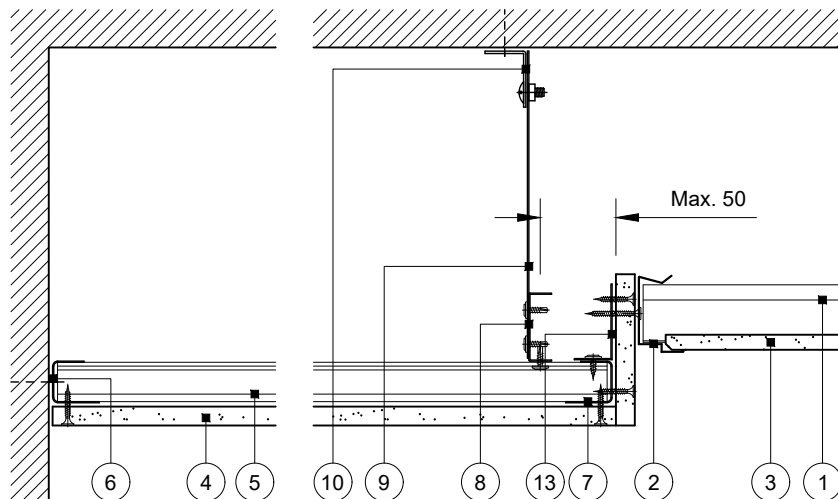
GypCeiling Corridor

- | | |
|--|---|
| <ol style="list-style-type: none"> 1 CasoLine Quick-Lock Corridor Main Tee at 300mm centres 2 CasoLine Quick-Lock Shadowline fixed to MF6 with suitable British Gypsum wafer head screws at 300mm centres 3 Gypsum planks with edge profile E/B 4 One layer Gyproc plasterboard or Glasroc specialist board fixed with suitable British Gypsum screws at 230mm centres in field of board and 150mm centres at board ends 5 Gypframe MF5 Ceiling Sections at max. 450mm centres fixed to each MF7 with two suitable British Gypsum wafer head screws or MF9 Connecting Clip 6 Gypframe MF6 Perimeter Channel suitably fixed to wall at 600mm centres 7 Gypframe MF6 Perimeter Channel fixed to each MF5/MF7 with suitable British Gypsum wafer head screws | <ol style="list-style-type: none"> 8 Gypframe MF7 Primary Support Channels at 1200mm centres 9 Gypframe MF8 Strap Hanger or FEA1 Steel Angle hangers at 1200mm centres fixed to MF7 with two suitable British Gypsum wafer head screws 10 Gypframe MF12 Soffit Cleat fixed to hanger with MF11 Nut and Bolt and suitably fixed to soffit 11 Gypframe MF12 Soffit Cleat fixed to MF7 with MF11 Nut and Bolt and suitably fixed to wall (not required if min. two hangers used) 12 Gypframe GA4 Steel Angle fixed to each MF7 with suitable British Gypsum wafer head screws 13 Gypframe GA4 Steel Angle fixed to MF6 with suitable British Gypsum wafer head screws at 600mm centres |
|--|---|



Plasterboard ceiling junction change of level 1

MF5 parallel to wall



Plasterboard ceiling junction change of level 2

MF5 perpendicular to wall

Title: GypCeiling Corridor
Plank edge profile E/B
Standard details read with project specification

Scale at A4: 1:5
Date: October 2021
Dwg No.: ST-327-ZZEB-04

Drawn: MRC
Approved: MBH
Revision:

Technical Support Team | british-gypsum.com

This drawing is provided to customers free of charge and the details shown are subject to the accuracy of the information provided to British Gypsum at the time the drawing was originally requested. The drawing should therefore be approved by the project design and management authority before use to ensure that it meets with their specific project requirements. It should also be read in conjunction with British Gypsum's current literature available at www.british-gypsum.com. Taping and finishing in accordance with British Gypsum's current recommendations is assumed (with the exception of FireCase system). Please note the drawing may show British Gypsum products fixed by or to products that are non-British Gypsum products/fixings please refer to Specifying Authority for specification details. This drawing is valid at the time of issue, please check with British Gypsum for the latest version. No duty of care is owed to the recipient or any third party and British Gypsum excludes all liability in respect of the details shown save where death or personal injury is caused due to British Gypsum's negligence or for fraud.