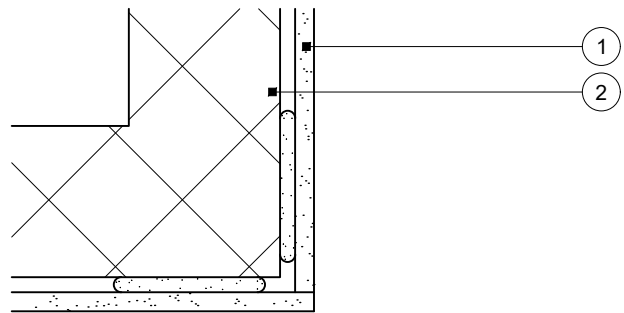
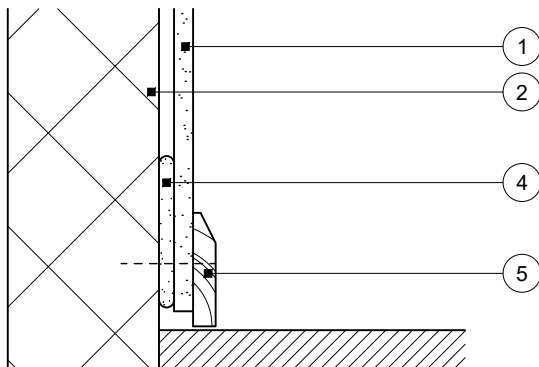
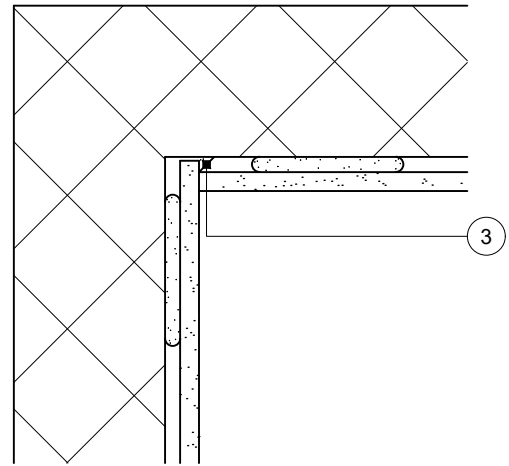
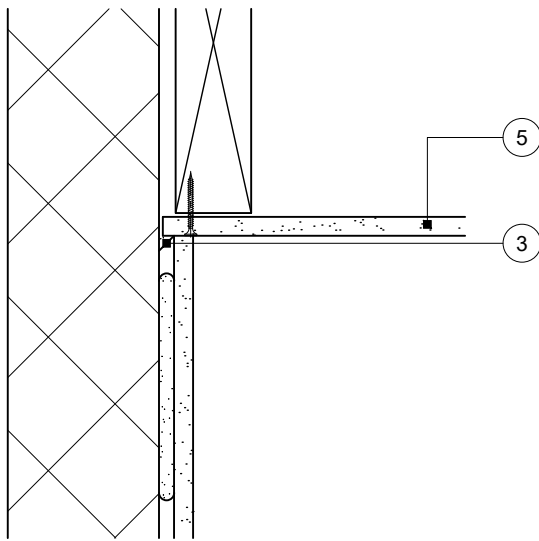


# Standard Detail

This drawing provides general guidance where no performance criteria is given and site specific conditions are not taken into account

## DriLyner Dab

- 1 Gyproc plasterboard fixed with dabs of Gyproc DriWall Adhesive (50-75mm wide and 250mm long) in three vertical lines (four vertical lines for 9.5mm board 1200mm width)
- 2 Indicative masonry background
- 3 Continuous fillet of Gyproc DriWall Adhesive to wall perimeter
- 4 Continuous band of Gyproc DriWall Adhesive at skirting level
- 5 Indicative skirting
- 6 Gyproc plasterboard ceiling



**Base and head**

**External and internal corners**

**Title:** DriLyner Dab  
One layer board  
Standard details read with project specification

**Scale at A4:** 1:5  
**Date:** October 2021  
**Dwg No.:** ST-221-DAPB-01

**Drawn:** MRC  
**Approved:** NCL  
**Revision:**

**Technical Support Team | [british-gypsum.com](http://british-gypsum.com)**

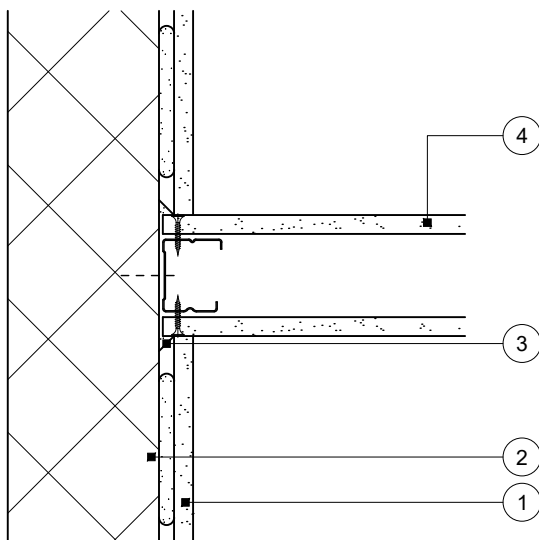
This drawing is provided to customers free of charge and the details shown are subject to the accuracy of the information provided to British Gypsum at the time the drawing was originally requested. The drawing should therefore be approved by the project design and management authority before use to ensure that it meets with their specific project requirements. It should also be read in conjunction with British Gypsum's current literature available at [www.british-gypsum.com](http://www.british-gypsum.com). Taping and finishing in accordance with British Gypsum's current recommendations is assumed (with the exception of FireCase system). Please note the drawing may show British Gypsum products fixed by or to products that are non-British Gypsum products/fixings please refer to Specifying Authority for specification details. This drawing is valid at the time of issue, please check with British Gypsum for the latest version. No duty of care is owed to the recipient or any third party and British Gypsum excludes all liability in respect of the details shown save where death or personal injury is caused due to British Gypsum's negligence or for fraud.

# Standard Detail

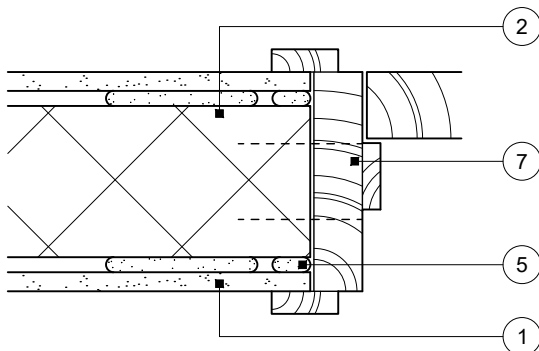
This drawing provides general guidance where no performance criteria is given and site specific conditions are not taken into account

## DriLyner Dab

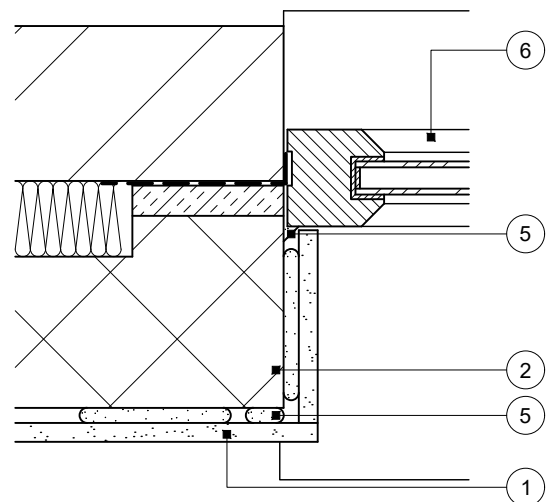
- 1 Gyproc plasterboard fixed with dabs of Gyproc DriWall Adhesive (50-75mm wide and 250mm long) in three vertical lines (four vertical lines for 9.5mm board 1200mm width)
- 2 Indicative masonry background
- 3 Continuous fillet of Gyproc DriWall Adhesive to wall perimeter
- 4 Indicative metal stud partition suitably fixed to wall
- 5 Continuous fillet of Gyproc DriWall Adhesive to opening perimeter
- 6 Indicative window frame
- 7 Indicative timber door frame and architrave fixed to wall



**Partition abutment**



**Door jamb**



**Window reveal**

Principles apply to door reveal

**Title:** DriLyner Dab  
One layer board  
Standard details read with project specification

**Scale at A4:** 1:5  
**Date:** October 2021  
**Dwg No.:** ST-221-DAPB-02

**Drawn:** MRC  
**Approved:** NCL  
**Revision:**

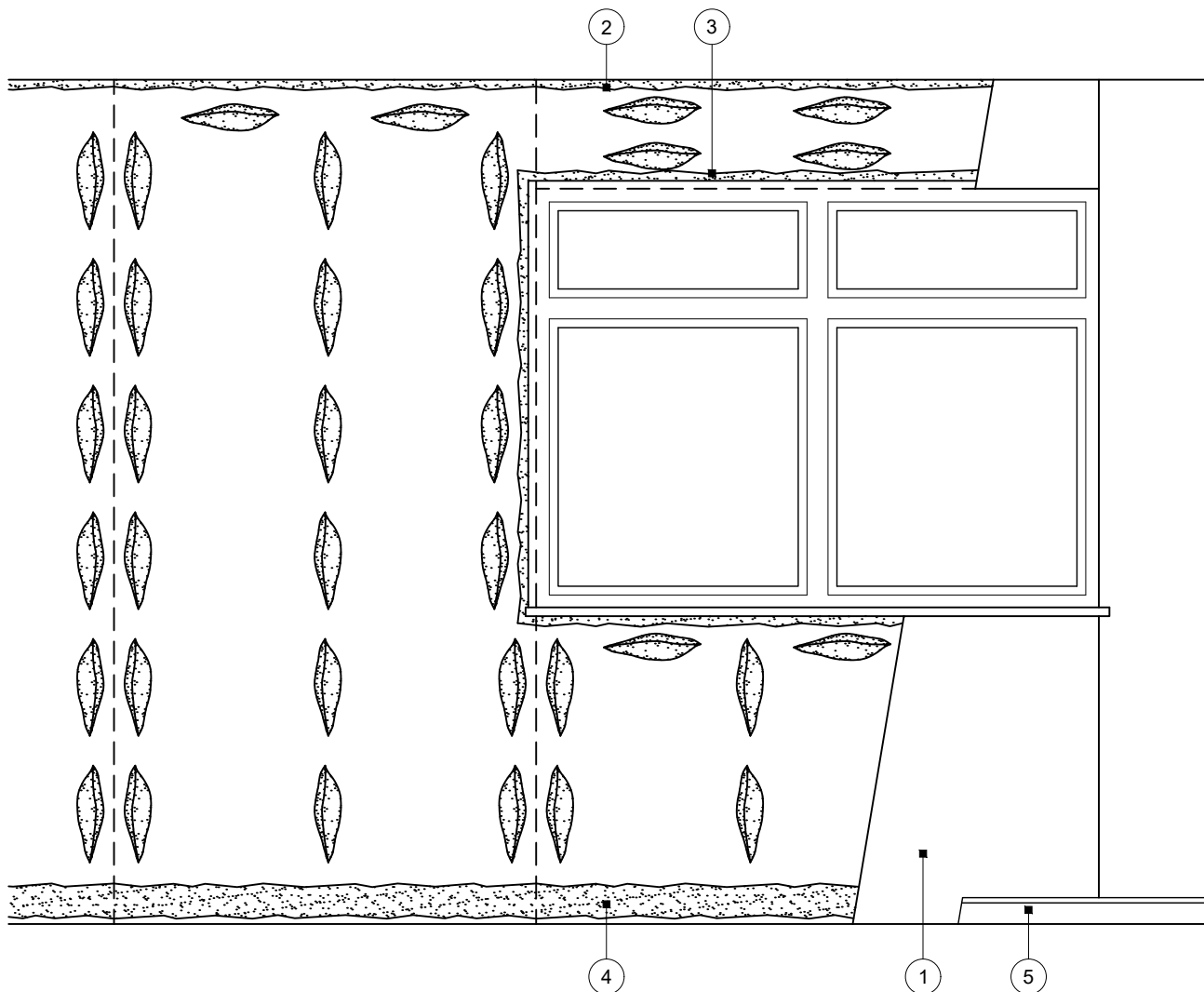
Technical Support Team | british-gypsum.com

# Standard Detail

This drawing provides general guidance where no performance criteria is given and site specific conditions are not taken into account

## DriLyner Dab

- 1 Gyproc plasterboard fixed with dabs of Gyproc DriWall Adhesive (50-75mm wide and 250mm long) in three vertical lines (four vertical lines for 9.5mm board 1200mm width)
- 2 Continuous fillet of Gyproc DriWall Adhesive to wall perimeter
- 3 Continuous fillet of Gyproc DriWall Adhesive to opening perimeter
- 4 Continuous band of Gyproc DriWall Adhesive at skirting level
- 5 Indicative skirting



## Typical wall elevation

Plasterboard

**Title:** DriLyner Dab  
One layer board  
Standard details read with project specification

**Scale at A4:** 1:20  
**Date:** October 2021  
**Dwg No.:** ST-221-DAPB-03

**Drawn:** MRC  
**Approved:** NCL  
**Revision:**

Technical Support Team | [british-gypsum.com](http://british-gypsum.com)

This drawing is provided to customers free of charge and the details shown are subject to the accuracy of the information provided to British Gypsum at the time the drawing was originally requested. The drawing should therefore be approved by the project design and management authority before use to ensure that it meets with their specific project requirements. It should also be read in conjunction with British Gypsum's current literature available at [www.british-gypsum.com](http://www.british-gypsum.com). Taping and finishing in accordance with British Gypsum's current recommendations is assumed (with the exception of FireCase system). Please note the drawing may show British Gypsum products fixed by or to products that are non-British Gypsum products/fixings please refer to Specifying Authority for specification details. This drawing is valid at the time of issue, please check with British Gypsum for the latest version. No duty of care is owed to the recipient or any third party and British Gypsum excludes all liability in respect of the details shown save where death or personal injury is caused due to British Gypsum's negligence or for fraud.