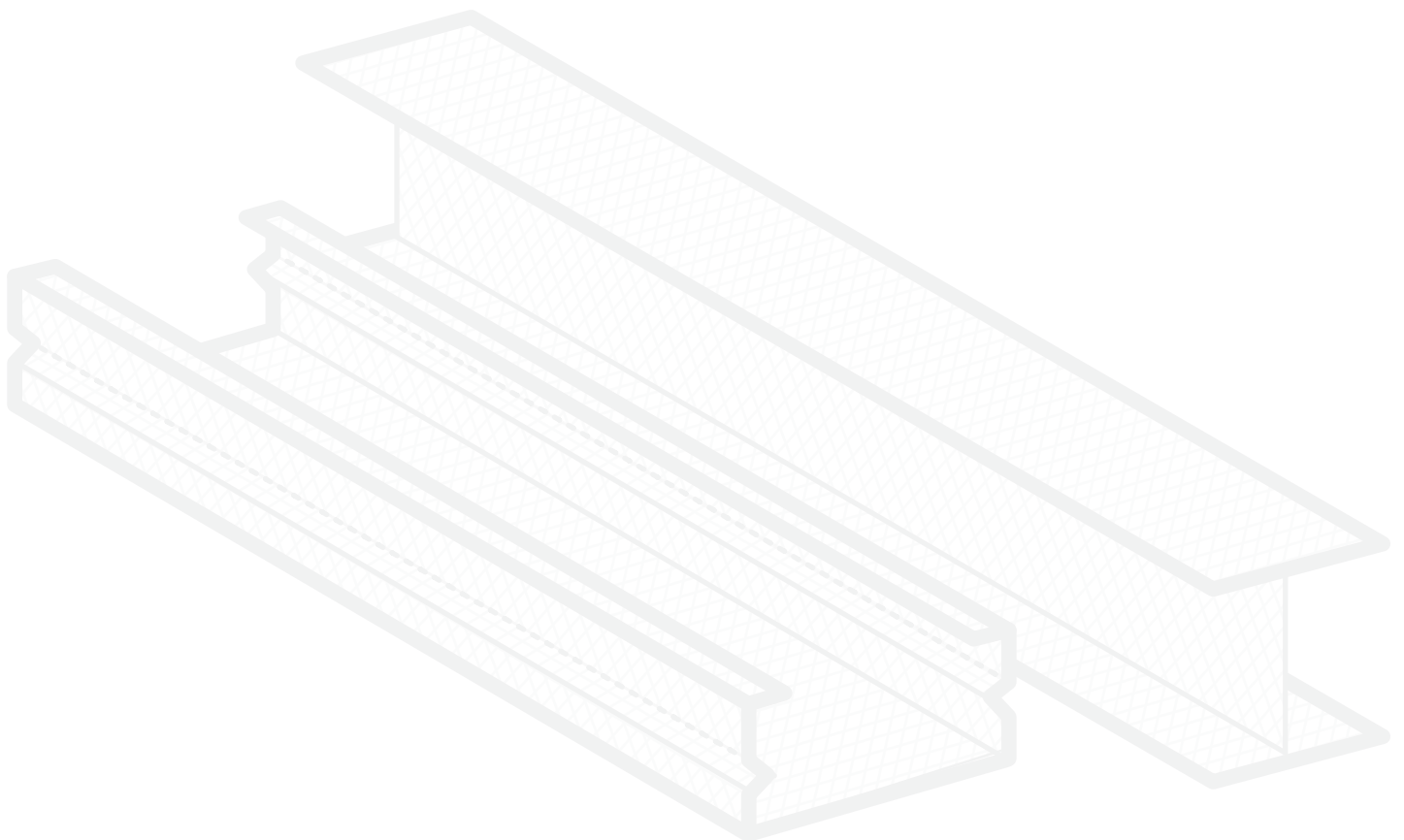


Safety Data Sheet

Gypframe[®] LF7 Connector



This safety data sheet was created pursuant to the requirements of:
The REACH etc. (Amendment etc.) (EU Exit) Regulations 2020 and The Chemicals (Health
and Safety) and Genetically Modified Organisms (Contained Use) (Amendment etc.) (EU
Exit) Regulations 2019 No. 720

Issuing Date 08-Aug-2024

Revision Date 08-Aug-2024

Revision Number 1

SECTION 1: Identification of the substance/mixture and of the company/undertaking

1.1. Product identifier

Product Name	Gypframe LF7 Connector
Synonyms	None
Pure substance/mixture	Article
Other information	These products are considered articles under UK REACH.

1.2. Relevant identified uses of the substance or mixture and uses advised against

Recommended use	In conjunction with Gypframe metal components, Gyproc plasterboards, and British Gypsum specialist board products; to form internal wall systems
Uses advised against	No specific uses advised against are identified

1.3. Details of the supplier of the safety data sheet

Supplier

British Gypsum
East Leake
Loughborough
Leicestershire
LE12 6HX
UK
T: +44 (0) 115 945 6123

For further information, please contact

E-mail address bg.technical@saint-gobain.com

1.4. Emergency telephone number

Emergency telephone + 44 (0) 115 945 6123
8:30am - 5:00pm Monday - Friday (GMT)

SECTION 2: Hazards identification

2.1. Classification of the substance or mixture

GB CLP (SI 2020/1567 as amended)

This product is an article and, in its current form, is classified as not hazardous

2.2. Label elements

Hazard statements

Not classified.

2.3. Other hazards**Other hazards**

Product can only form ignitable mixtures or burn if it is heated to temperatures above the flash point. Dust may irritate the eyes and the respiratory system. Frequent inhalation of dust over a long period of time increases the risk of developing lung diseases.

SECTION 3: Composition/information on ingredients**3.1 Substances**

The product contains no substances which at their given concentration, are considered to be hazardous to health

Chemical nature As supplied, this product is an article.

Chemical name	Weight-%	EC No (EU Index No)	UK REACH registration number	Classification according to GB CLP (SI 2020/1567 as amended)	Specific concentration limit (SCL)	M-Factor	M-Factor (long-term)
Ethylene-Propylene polymer 9010-79-1	100	-	-	-	-	-	-

Full text of H- and EUH-phrases: see section 16

Acute Toxicity Estimate

No information available

This product does not contain candidate substances of very high concern at a concentration $\geq 0.1\%$ (UK REACH Article 59)

SECTION 4: First aid measures**4.1. Description of first aid measures****General advice**

When in doubt or if symptoms are observed, get medical advice.

Inhalation

Harmful dust may be released during cutting or grinding process. Remove person to fresh air and keep comfortable for breathing. Get medical attention if symptoms occur.

Eye contact

Not an expected route of exposure.

Skin contact

Wash skin with soap and water.

Ingestion

Not an expected route of exposure.

4.2. Most important symptoms and effects, both acute and delayed**Symptoms**

Harmful dust may be released during cutting or grinding process. Product dust may be irritating to eyes, skin and respiratory system.

Effects of Exposure

No information available.

4.3. Indication of any immediate medical attention and special treatment needed**Note to doctors**

Treat symptomatically.

SECTION 5: Firefighting measures

5.1. Extinguishing media

Suitable Extinguishing Media Dry chemical, CO₂, alcohol-resistant foam or water spray. Use extinguishing measures that are appropriate to local circumstances and the surrounding environment.

Unsuitable extinguishing media Do not use a solid water stream as it may scatter and spread fire.

5.2. Special hazards arising from the substance or mixture

Specific hazards arising from the chemical No information available.

5.3. Advice for firefighters

Special protective equipment and precautions for fire-fighters Firefighters should wear self-contained breathing apparatus and full firefighting turnout gear. Use personal protection equipment.

SECTION 6: Accidental release measures

6.1. Personal precautions, protective equipment and emergency procedures

Personal precautions Wash thoroughly after handling. Wear personal protective clothing (see section 8).

For emergency responders Use personal protection recommended in Section 8.

6.2. Environmental precautions

Environmental precautions No information available.

6.3. Methods and material for containment and cleaning up

Methods for containment Prevent further leakage or spillage if safe to do so.

Methods for cleaning up Pick up and transfer to properly labelled containers. Wash thoroughly after handling. Dispose of wastes in an approved waste disposal facility.

Prevention of secondary hazards Clean contaminated objects and areas thoroughly observing environmental regulations.

6.4. Reference to other sections

Reference to other sections See section 8 for more information. See section 13 for more information.

SECTION 7: Handling and storage

7.1. Precautions for safe handling

Advice on safe handling Read carefully and follow all instructions. Do not handle until all safety precautions have been read and understood. Wear personal protective equipment. Keep away from food, drink and animal feedingstuffs. Minimise dust generation and accumulation. Wash hands thoroughly after handling. Do not eat, drink or smoke when using this product. Keep away from heat, hot surfaces, sparks, open flames and other ignition sources. No smoking.

General hygiene considerations Handle in accordance with good industrial hygiene and safety practice. Wash hands before breaks and after work.

7.2. Conditions for safe storage, including any incompatibilities

Storage Conditions Store away from incompatible materials.

7.3. Specific end use(s)

Specific use(s) The identified uses for this product are detailed in Section 1.2.

Risk Management Methods (RMM) The information required is contained in this Safety Data Sheet.

SECTION 8: Exposure controls/personal protection**8.1. Control parameters**

Exposure Limits This product, as supplied, does not contain any hazardous materials with occupational exposure limits established by the region specific regulatory bodies.

Biological occupational exposure limits This product, as supplied, does not contain any hazardous materials with biological limits established by the region specific regulatory bodies.

Derived No Effect Level (DNEL) - Workers No information available

Derived No Effect Level (DNEL) - General Public No information available.

Predicted No Effect Concentration (PNEC) No information available.

8.2. Exposure controls

Engineering controls Showers
Eyewash stations
Ventilation systems.

Personal protective equipment

Eye/face protection In case of dust: Dust-resistant, chemical splash goggles. Eye protection must conform to standard EN 166.

Hand protection During cutting, grinding or sanding operations, wear protective gloves if handling sharp or rough edges. Ensure that the breakthrough time of the glove material is not exceeded. Refer to glove supplier for information on breakthrough time for specific gloves. Considering the data specified by the glove manufacturer, check during use that the gloves are retaining their protective properties and change them as soon as any deterioration is detected. Frequent changes are recommended. Gloves must conform to standard EN 374.

Skin and body protection No special protective equipment required.

Respiratory protection Harmful dust may be released during cutting or grinding process. Dust mask for dust formation. Ensure all respiratory protective equipment is suitable for its intended use and is 'UKCA'-marked. Check that the respirator fits tightly and the filter is changed regularly.

General hygiene considerations Handle in accordance with good industrial hygiene and safety practice. Wash hands before breaks and after work.

Environmental exposure controls No information available.

SECTION 9: Physical and chemical properties**9.1. Information on basic physical and chemical properties**

Appearance Injection moulded connector in one depth
Physical state Solid

Colour	Off-white
Odour	Odourless
Odour threshold	No information available

<u>Property</u>	<u>Values</u>	<u>Remarks • Method</u>
Melting point / freezing point		No data available
Initial boiling point and boiling range		No data available
Flammability		No data available
Flammability Limit in Air		
Upper flammability or explosive limits		No data available
Lower flammability or explosive limits		No data available
Flash point	>300 °C	
Autoignition temperature		No data available
Decomposition temperature		No data available
pH		No data available
pH (as aqueous solution)		No data available
Kinematic viscosity		No data available
Dynamic viscosity		No data available
Water solubility		No data available
Solubility(ies)		No data available
Partition coefficient		No data available
Vapour pressure		No data available
Relative density		No data available
Bulk density		No data available
Liquid Density		No data available
Relative vapour density		No data available
Particle characteristics		
Particle Size		No data available
Particle Size Distribution		No data available
Explosive properties	No information available.	
Oxidising properties	No information available.	

9.2. Other information

VOC content	No information available
-------------	--------------------------

SECTION 10: Stability and reactivity

10.1. Reactivity

Reactivity	No information available.
------------	---------------------------

10.2. Chemical stability

Stability	Stable under normal conditions.
-----------	---------------------------------

Explosion data

Sensitivity to mechanical impact	None.
Sensitivity to static discharge	None.

10.3. Possibility of hazardous reactions

Possibility of hazardous reactions	None under normal processing.
------------------------------------	-------------------------------

10.4. Conditions to avoid

Conditions to avoid	None known based on information supplied.
---------------------	---

10.5. Incompatible materials

Incompatible materials Strong oxidising agents.

10.6. Hazardous decomposition products

Hazardous decomposition products Upon prolonged heating above 300 °C decomposition products may be released. High concentrations of vapour may be irritating to the respiratory tract.

SECTION 11: Toxicological information

11.1. Toxicological information

Information on likely routes of exposure

Product Information

Inhalation	Harmful dust may be released during cutting or grinding process. Inhalation of dust in high concentration may cause mechanical irritation of respiratory system.
Eye contact	Not an expected route of exposure.
Skin contact	Specific test data for the substance or mixture is not available.
Ingestion	Not an expected route of exposure.

Symptoms related to the physical, chemical and toxicological characteristics

Symptoms Product dust may be irritating to eyes, skin and respiratory system.

Acute toxicity

Numerical measures of toxicity
No information available.

Delayed and immediate effects as well as chronic effects from short and long-term exposure

Skin corrosion/irritation	Based on available data, the classification criteria are not met.
Serious eye damage/eye irritation	Based on available data, the classification criteria are not met.
Respiratory or skin sensitisation	Based on available data, the classification criteria are not met.
Germ cell mutagenicity	Based on available data, the classification criteria are not met.
Carcinogenicity	Based on available data, the classification criteria are not met.
Reproductive toxicity	Based on available data, the classification criteria are not met.

STOT - single exposure	Based on available data, the classification criteria are not met.
STOT - repeated exposure	Based on available data, the classification criteria are not met.
Aspiration hazard	Based on available data, the classification criteria are not met.
Other adverse effects	None known based on information supplied.

SECTION 12: Ecological information

12.1. Toxicity

Ecotoxicity The environmental impact of this product has not been fully investigated.

12.2. Persistence and degradability

Persistence and degradability No information available.

12.3. Bioaccumulative potential

Bioaccumulation There is no data for this product.

12.4. Mobility in soil

Mobility in soil No information available.

12.5. Results of PBT and vPvB assessment

PBT and vPvB assessment The product does not contain any substance(s) classified as PBT or vPvB.

12.6. Other adverse effects

No information available.

SECTION 13: Disposal considerations

13.1. Waste treatment methods

Waste from residues/unused products Dispose of in accordance with local regulations. Dispose of waste in accordance with environmental legislation.

Contaminated packaging Since empty containers retain product residue, follow label warnings even after container is emptied.

SECTION 14: Transport information

IMDG	Not regulated
14.1 UN number or ID number	Not regulated
14.2 UN proper shipping name	Not regulated
14.3 Transport hazard class(es)	Not regulated
14.4 Packing group	Not applicable
14.5 Environmental hazards	Not applicable
14.6 Special Precautions for Users	
Special Provisions	None

14.7 Maritime transport in bulk according to IMO instruments No information available

RID Not regulated
14.1 UN number or ID number Not regulated
14.2 UN proper shipping name Not regulated
14.3 Transport hazard class(es) Not regulated
14.4 Packing group Not applicable
14.5 Environmental hazards Not applicable
14.6 Special Precautions for Users
Special Provisions None

ADR Not regulated
14.1 UN number or ID number Not regulated
14.2 UN proper shipping name Not regulated
14.3 Transport hazard class(es) Not regulated
14.4 Packing group Not applicable
14.5 Environmental hazards Not applicable
14.6 Special Precautions for Users
Special Provisions None

IATA Not regulated
14.1 UN number or ID number Not regulated
14.2 UN proper shipping name Not regulated
14.3 Transport hazard class(es) Not regulated
14.4 Packing group Not applicable
14.5 Environmental hazards Not applicable
14.6 Special Precautions for Users
Special Provisions None
Note: None

SECTION 15: Regulatory information

15.1. Safety, health and environmental regulations/legislation specific for the substance or mixture

Authorisations and/or restrictions on use:

This product does not contain substances subject to authorisation (UK REACH - Annex XIV). This product does not contain substances subject to restriction (UK REACH - Annex XVII).

Persistent Organic Pollutants

Not applicable

Export Notification requirements

Not applicable

Named dangerous substances per COMAH (SI 2015/483 as amended)

Not applicable

The Ozone-Depleting Substances Regulations 2015

Not applicable

The Biocidal Products Regulations 2001 (as amended)

Not applicable

The Water Environment (Water Framework Directive) (England and Wales) Regulations 2017 (as amended)

Not applicable

Poisons and Explosive Precursors

Not applicable

International Inventories

Contact supplier for inventory compliance status

15.2. Chemical safety assessment**Chemical Safety Report** No information available**SECTION 16: Other information****Key or legend to abbreviations and acronyms used in the safety data sheet****Legend**

SVHC: Substances of Very High Concern for Authorisation:
 PBT: Persistent, Bioaccumulative, and Toxic (PBT) Substances
 vPvB: Very Persistent and very Bioaccumulative (vPvB) Substances
 STOT: Specific Target Organ Toxicity
 ATE: Acute Toxicity Estimate
 LC50: 50% Lethal Concentration
 LD50: 50% Lethal Dose

Legend Section 8: Exposure controls/personal protection

TWA	TWA (time-weighted average)	STEL	STEL (Short Term Exposure Limit)
Ceiling	Maximum limit value	Sk*	Skin designation
+	Sensitisers	SCBA	Self-contained breathing apparatus

Classification procedure	
Classification according to Regulation (EC) No. 1272/2008 [CLP]	Method Used
Acute oral toxicity	Calculation method
Acute dermal toxicity	Calculation method
Acute inhalation toxicity - gas	Calculation method
Acute inhalation toxicity - vapour	Calculation method
Acute inhalation toxicity - dust/mist	Calculation method
Skin corrosion/irritation	Calculation method
Serious eye damage/eye irritation	Calculation method
Respiratory sensitisation	Calculation method
Skin sensitisation	Calculation method
Mutagenicity	Calculation method
Carcinogenicity	Calculation method
Reproductive toxicity	Calculation method
STOT - single exposure	Calculation method
STOT - repeated exposure	Calculation method
Acute aquatic toxicity	Calculation method
Chronic aquatic toxicity	Calculation method
Aspiration hazard	Calculation method
Ozone	Calculation method

Key literature references and sources for data used to compile the SDS

Agency for Toxic Substances and Disease Registry (ATSDR)
 U.S. Environmental Protection Agency ChemView Database
 European Food Safety Authority (EFSA)
 European Chemicals Agency (ECHA) Committee for Risk Assessment (ECHA_RAC)
 European Chemicals Agency (ECHA) (ECHA_API)
 Environmental Protection Agency
 Acute Exposure Guideline Level(s) (AEGL(s))
 U.S. Environmental Protection Agency Federal Insecticide, Fungicide, and Rodenticide Act
 U.S. Environmental Protection Agency High Production Volume Chemicals
 Food Research Journal

Hazardous Substance Database
International Uniform Chemical Information Database (IUCLID)
National Institute of Technology and Evaluation (NITE)
Australian National Industrial Chemicals Notification and Assessment Scheme (NICNAS)
NIOSH (National Institute for Occupational Safety and Health)
National Library of Medicine's ChemID Plus (NLM CIP)
National Library of Medicine's PubMed database (NLM PUBMED)
U.S. National Toxicology Program (NTP)
New Zealand's Chemical Classification and Information Database (CCID)
Organisation for Economic Co-operation and Development Environment, Health, and Safety Publications
Organisation for Economic Co-operation and Development High Production Volume Chemicals Programme
Organisation for Economic Co-operation and Development Screening Information Data Set
World Health Organization

Issuing Date 08-Aug-2024

Revision Date 08-Aug-2024

Revision Note Initial Release

This material safety data sheet complies with the requirements of UK REACH

Take note of Directive 98/24/EC on the protection of the health and safety of workers from the risks related to chemical agents at work

Disclaimer

The information provided in this Safety Data Sheet is correct to the best of our knowledge, information and belief at the date of its publication. The information given is designed only as a guidance for safe handling, use, processing, storage, transportation, disposal and release and is not to be considered a warranty or quality specification. The information relates only to the specific material designated and may not be valid for such material used in combination with any other materials or in any process, unless specified in the text

End of Safety Data Sheet



SAINT-GOBAIN

British Gypsum

Head Office, East Leake,
Loughborough,
Leicestershire, LE12 6HX
T: 0115 945 1000
british-gypsum.com



"Gyproc", "Thistle", "ThistlePro", "Gypframe" and "Glasroc" are all registered trademarks of Saint-Gobain Construction Products UK Limited. "Isover" is a registered trademark of Saint-Gobain Isover (French legal entity) and "Okarno" is a registered trademark of Okarno Limited.

Saint-Gobain Construction Products UK Limited is a limited company registered in England under company number 734396, having its registered office at Saint-Gobain House, East Leake, Loughborough, Leicestershire, LE12 6JU, UK. Saint-Gobain Construction Products UK Limited trades as British Gypsum for part of its business activities.

British Gypsum reserves the right to revise product specification without notice. The information herein should not be read in isolation as it is meant only as guidance for the user, who should always ensure that they are fully conversant with the products and systems being used and their subsequent installation prior to the commencement of work. For a comprehensive and up-to-date library of information visit the British Gypsum website at: british-gypsum.com. For information about products supplied by Artex Limited or Saint-Gobain Isover please see their respective websites.

"British Gypsum" is a registered trademark of Saint-Gobain Construction Products UK Limited.