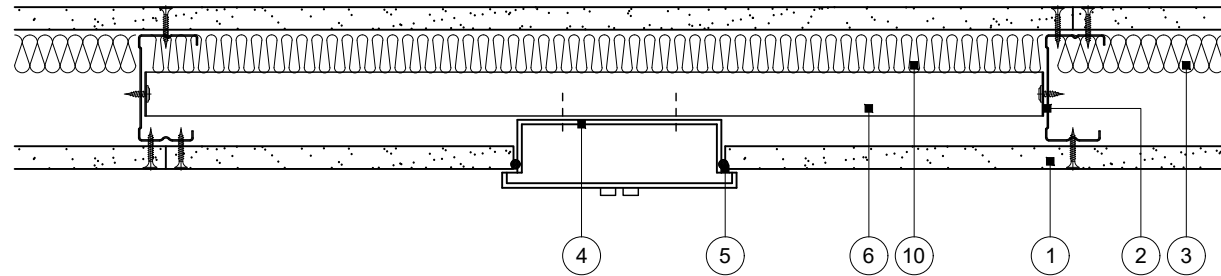


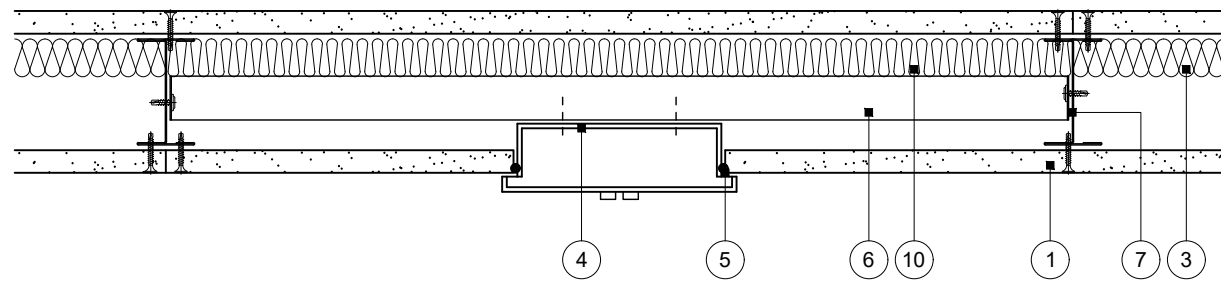
Construction Detail

This drawing provides guidance to achieve indicative performance criteria for specific design conditions

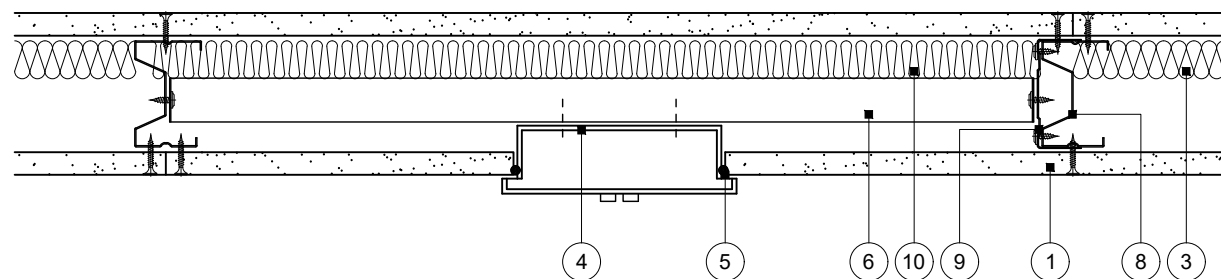
GypWall systems



Plan with 'C' studs

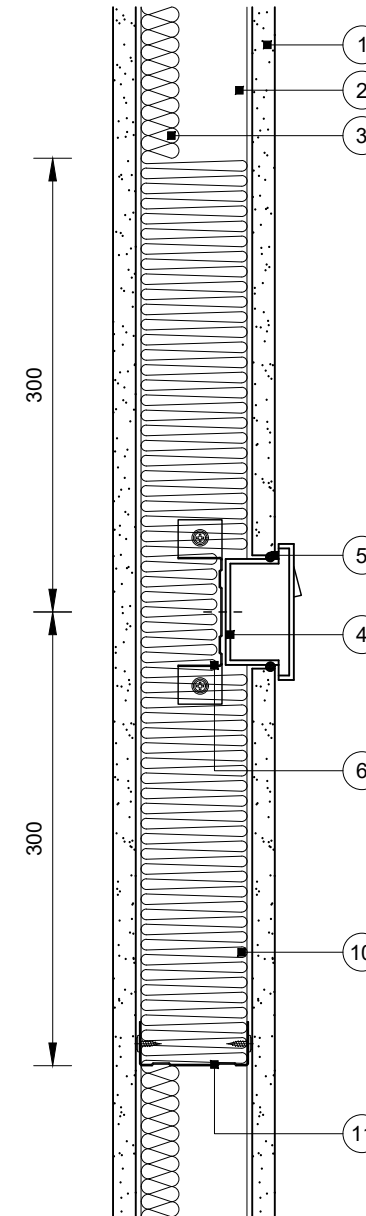


Plan with 'I' studs



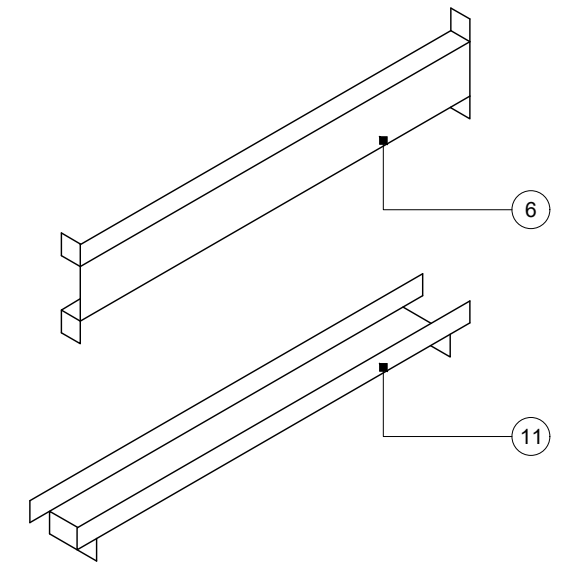
Plan with AcouStuds

Electrical socket box with metal nogging



Section

- 1 One layer Gyproc plasterboard or Glasroc specialist board fixed with suitable British Gypsum screws at 300mm centres (200mm centres at external angles)
- 2 Gypframe 'C' studs at specified centres
- 3 Isover insulation where required
- 4 Indicative metal back socket box fitted tight into board and suitably fixed to nogging
- 5 Socket box perimeter sealed with Gyproc Sealant
- 6 Gypframe Channel nogging with flanges tabbed, bent and fixed to studs with suitable British Gypsum wafer head screws
- 7 Gypframe 'I' studs at specified centres
- 8 Gypframe AcouStuds at specified centres
- 9 Short length of Gypframe Channel fixed to stud with suitable British Gypsum wafer head screws
- 10 Stone mineral wool batt 60kg/m³ minimum density (by others) thickness to match stud size and 600mm height
- 11 Gypframe Channel nogging with ends notched around studs and fixed through both flanges with suitable British Gypsum wafer head screws, to support stone mineral wool



! Important information

Fire resistance BS EN 1364-1

- 60 minutes through partition subject to specification

Title: Construction detail

Scale at A3: 1:5

Drawn: MRC

Date: December 2021

Approved: MKF JMC

Dwg No.: CN-623-002

Revision:

Technical Support Team | british-gypsum.com

This drawing is provided to customers free of charge and the details shown are subject to the accuracy of the information provided to British Gypsum at the time the drawing was originally requested. The drawing should therefore be approved by the project design and management authority before use to ensure that it meets with their specific project requirements. It should also be read in conjunction with British Gypsum's current literature available at www.british-gypsum.com. Taping and finishing in accordance with British Gypsum's current recommendations is assumed (with the exception of FireCase system). Please note the drawing may show British Gypsum products fixed by or to products that are non-British Gypsum products/fixings please refer to Specifying Authority for specification details. This drawing is valid at the time of issue, please check with British Gypsum for the latest version. No duty of care is owed to the recipient or any third party and British Gypsum excludes all liability in respect of the details shown save where death or personal injury is caused due to British Gypsum's negligence or for fraud.