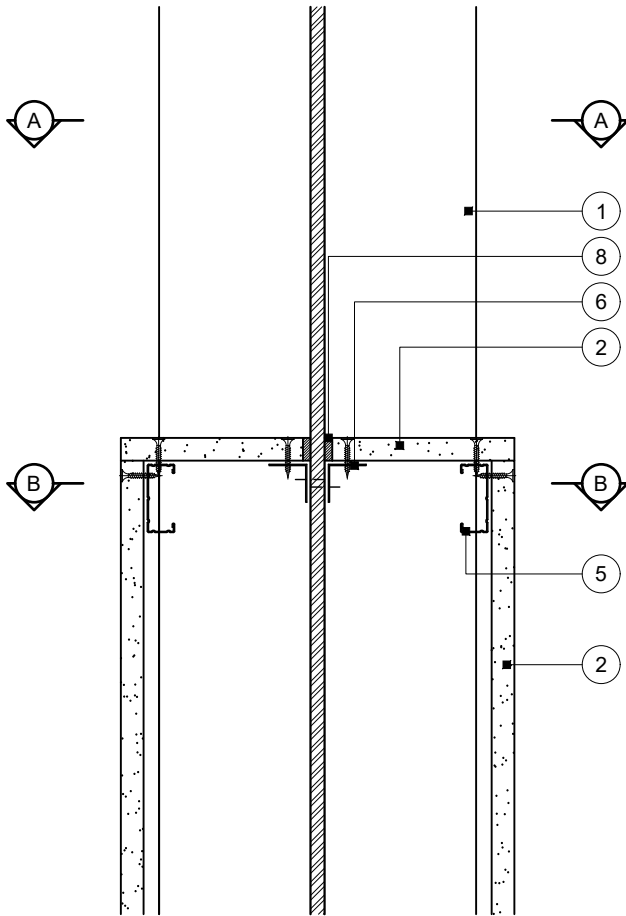


Construction Detail

This drawing provides guidance to achieve indicative performance criteria for specific design conditions

GypLyner Encase



- 1 Indicative steel universal column with intumescent paint fire protection
- 2 One layer Gyproc plasterboard or Glasroc specialist board fixed with suitable British Gypsum screws at 300mm centres
- 3 Gypframe GL1 Lining Channel clipped over steel framing clips. Lining channels extended with Gypframe GL3 Channel Connector (not shown)
- 4 Gypframe GL10 Steel Framing Clips friction fitted to flanges at 800mm centres and 100mm from each end of encasement
- 5 Noggings of Gypframe GL1 Lining Channel with ends tabbed and fixed to lining channels with suitable British Gypsum wafer head screws
- 6 Gypframe GA2 Steel Angle suitably fixed to steel column web
- 7 Gypframe GL8 Track capped over top of lining channels and fixed with suitable British Gypsum wafer head screws
- 8 5mm gap between column and board edge filled with fire resistant sealant manufactured and supplied by others

Important information

Fire protection BS EN 13381-4 and 13381-8

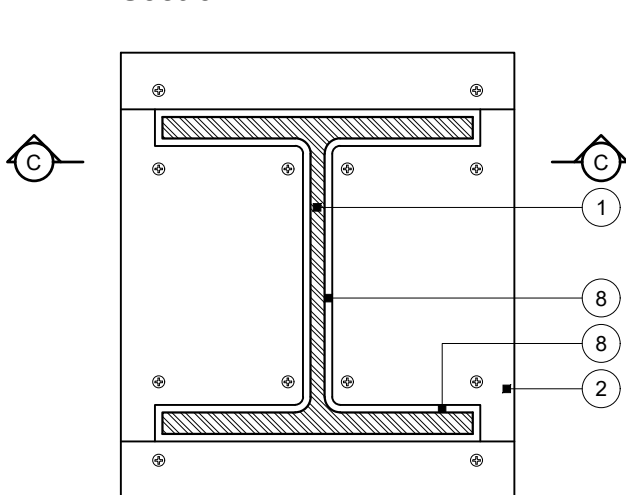
- Duration and maximum section factor A/V (Hp/A) subject to board and intumescent paint specification

The exact construction depicted on this drawing has not been tested and any performance characteristics, stated or inferred, are estimated based on other relevant test data. The drawing should be approved by the project design and management authority before use to ensure that it meets with their specific project requirements

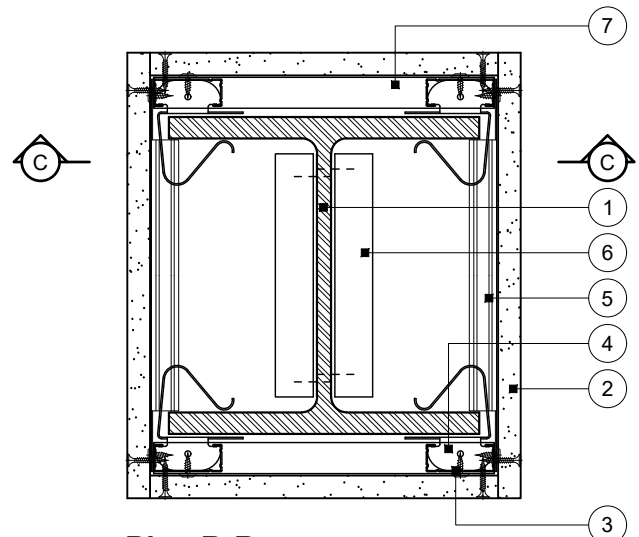
Refer to ASFP Technical Guidance Document 8 for further advice on junctions between different fire protection materials

Fire protection to steelwork to be substantiated by intumescent paint manufacturer

Section C-C



Plan A-A



Plan B-B

Column encasement junction with intumescent paint

Title: Construction detail

Scale at A4: 1:5

Date: March 2022

Dwg No.: CN-422-001

Drawn: MRC

Approved: MKF JMC

Revision:

Technical Support Team | british-gypsum.com

This drawing is provided to customers free of charge and the details shown are subject to the accuracy of the information provided to British Gypsum at the time the drawing was originally requested. The drawing should therefore be approved by the project design and management authority before use to ensure that it meets with their specific project requirements. It should also be read in conjunction with British Gypsum's current literature available at www.british-gypsum.com. Taping and finishing in accordance with British Gypsum's current recommendations is assumed (with the exception of FireCase system). Please note the drawing may show British Gypsum products fixed by or to products that are non-British Gypsum products/fixings please refer to Specifying Authority for specification details. This drawing is valid at the time of issue, please check with British Gypsum for the latest version. No duty of care is owed to the recipient or any third party and British Gypsum excludes all liability in respect of the details shown save where death or personal injury is caused due to British Gypsum's negligence or for fraud.