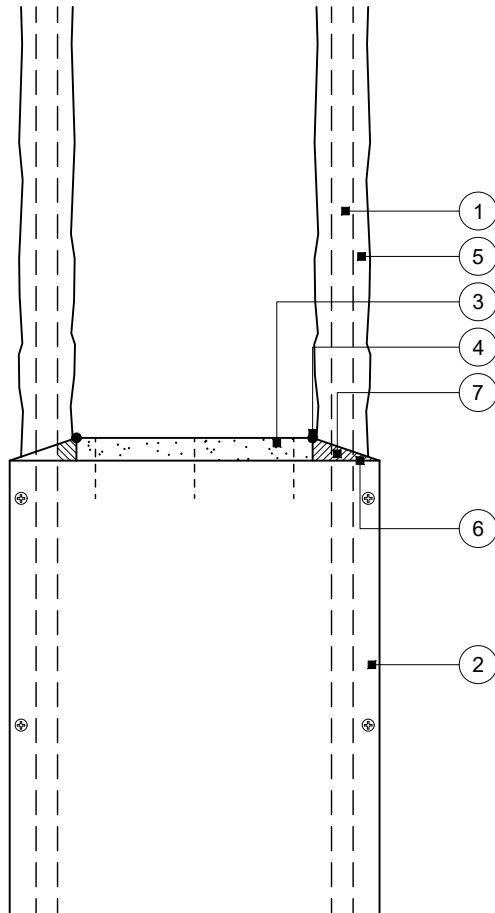


Construction Detail

This drawing provides guidance to achieve indicative performance criteria for specific design conditions

FireCase



- 1 Indicative steel universal column
- 2 One layer Glasroc F FireCase fixed together with Glasroc F FireCase Screws at 150mm centres. Board joints staggered by minimum 600mm between adjacent sides
- 3 Glasroc F FireCase capping piece cut tight to column web and wedged into place. Leading edge fixed to vertical encasement boards with Glasroc F FireCase Screws at 150mm centres
- 4 Gaps caulked with fire resistant sealant manufactured and supplied by others
- 5 Indicative sprayed fire protection
- 6 Encasement boards butted tightly to underside of sprayed fire protection
- 7 Benching around top of encasement with fire resistant sealant (specified and supplied by others) to provide angled surface

! Important information

Fire protection BS EN 13381-4

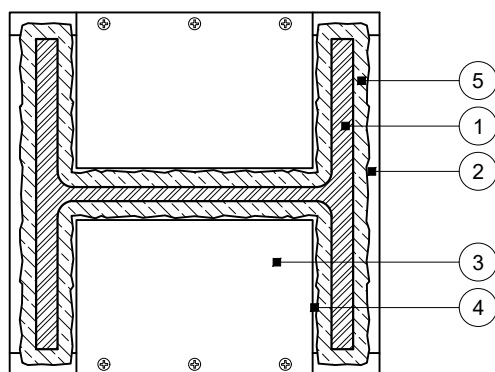
- Duration and maximum section factor A/V (Hp/A) subject to board and sprayed render specification

The exact construction depicted on this drawing has not been tested and any performance characteristics, stated or inferred, are estimated based on other relevant test data. The drawing should be approved by the project design and management authority before use to ensure that it meets with their specific project requirements

Refer to ASFP Technical Guidance Document 8 for further advice on junctions between different fire protection materials

Fire protection to steelwork to be substantiated by sprayed render manufacturer

Elevation



Plan

Column encasement junction with sprayed fire protection

Title: Construction detail

Scale at A4: 1:5

Drawn: MRC

Date: March 2022

Approved: MKF JMC

Dwg No.: CN-421-002

Revision:

Technical Support Team | british-gypsum.com

This drawing is provided to customers free of charge and the details shown are subject to the accuracy of the information provided to British Gypsum at the time the drawing was originally requested. The drawing should therefore be approved by the project design and management authority before use to ensure that it meets with their specific project requirements. It should also be read in conjunction with British Gypsum's current literature available at www.british-gypsum.com. Taping and finishing in accordance with British Gypsum's current recommendations is assumed (with the exception of FireCase system). Please note the drawing may show British Gypsum products fixed by or to products that are non-British Gypsum products/fixings please refer to Specifying Authority for specification details. This drawing is valid at the time of issue, please check with British Gypsum for the latest version. No duty of care is owed to the recipient or any third party and British Gypsum excludes all liability in respect of the details shown save where death or personal injury is caused due to British Gypsum's negligence or for fraud.