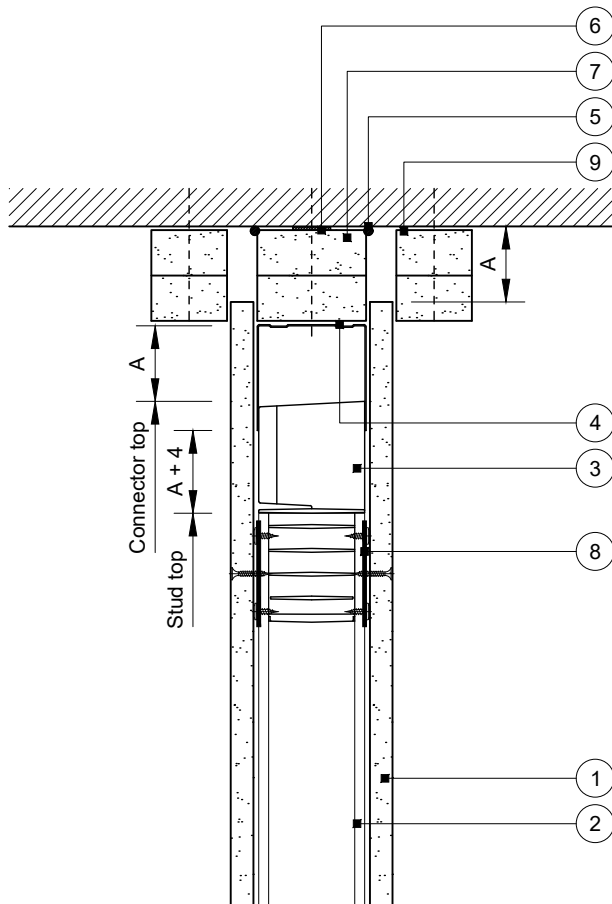


Construction Detail

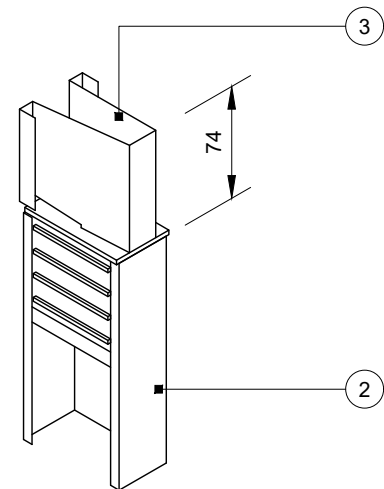
This drawing provides guidance to achieve indicative performance criteria for specific design conditions

GypWall Single Frame

- 1 One layer Gyproc SoundBloc 12.5mm fixed with suitable British Gypsum screws at 300mm centres (200mm centres at external angles)
- 2 Gypframe 70 S 50 'C' studs at 600mm centres
- 3 Gypframe LF7 Connector inserted into top of each stud
- 4 Gypframe 72 EDC 80 Extra Deep Channel suitably fixed through board to soffit at 600mm centres
- 5 Gyproc Sealant for optimum sound insulation
- 6 Gyproc FireStrip
- 7 Two 72mm width strips of Glasroc F FireCase 30mm pre-fixed to channel with suitable British Gypsum screws at 600mm centres
- 8 Gypframe GFS1 Fixing Strap fixed to each stud with two suitable British Gypsum wafer head screws to receive uppermost board fixings (no fixings into head channel)
- 9 Two 50mm width strips of Glasroc F FireCase 30mm fixed to soffit with suitable fire resistant fixings at 600mm centres



Dimension A = deflection amount 1-50mm



Important information

- Fire resistance BS EN 1364-1
- 30 minutes through partition

Deflection head

Downward (vertical) movement
Gypframe LF7 Connector

Title: Construction detail

Scale at A4: 1:5

Drawn: MRC

Date: October 2024

Approved: MKF

Dwg No.: CN-121-094

Revision:

Technical Support Team | british-gypsum.com

This drawing is provided to customers free of charge and the details shown are subject to the accuracy of the information provided to British Gypsum at the time the drawing was originally requested. The drawing should therefore be approved by the project design and management authority before use to ensure that it meets with their specific project requirements. It should also be read in conjunction with British Gypsum's current literature available at www.british-gypsum.com. Taping and finishing in accordance with British Gypsum's current recommendations is assumed (with the exception of FireCase system). Please note the drawing may show British Gypsum products fixed by or to products that are non-British Gypsum products/fixings please refer to Specifying Authority for specification details. This drawing is valid at the time of issue, please check with British Gypsum for the latest version. No duty of care is owed to the recipient or any third party and British Gypsum excludes all liability in respect of the details shown save where death or personal injury is caused due to British Gypsum's negligence or for fraud.