

Construction Detail

This drawing provides guidance to achieve indicative performance criteria for specific design conditions

GypWall Single Frame

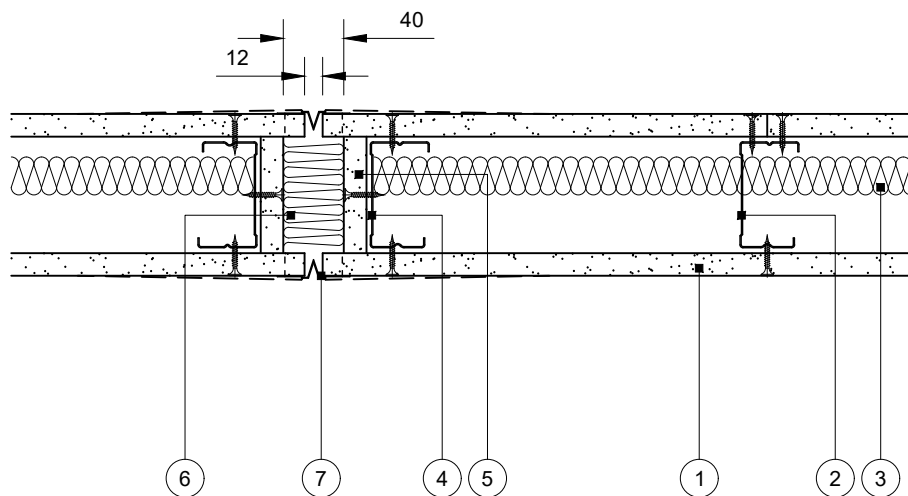
- 1 One layer Gyproc plasterboard or Glasroc specialist board fixed with suitable British Gypsum screws at 300mm centres (200mm centres at external angles)
- 2 Gypframe 'C' studs at specified centres
- 3 Isover insulation where required
- 4 Additional Gypframe 'C' stud each side of movement joint
- 5 Stud width strip of board (same type as partition lining) fixed with suitable British Gypsum screws at 300mm centres (in two lines staggered by 300mm for 92mm and 146mm studs)
- 6 Stone mineral wool 60kg/m³ minimum density manufactured and supplied by others
- 7 Gyproc Control Joint fixed with corrosion resistant staples at 150mm centres

! Important information

Fire resistance BS EN 1364-1

- 30 minutes through partition subject to specification

Estimated potential loss of 1 dB to 2 dB sound insulation



Lateral movement joint

±7mm movement

Title: Construction detail

Scale at A4: 1:5

Drawn: MRC

Date: March 2022

Approved: MKF JMC

Dwg No.: CN-121-070

Revision:

Technical Support Team | british-gypsum.com

This drawing is provided to customers free of charge and the details shown are subject to the accuracy of the information provided to British Gypsum at the time the drawing was originally requested. The drawing should therefore be approved by the project design and management authority before use to ensure that it meets with their specific project requirements. It should also be read in conjunction with British Gypsum's current literature available at www.british-gypsum.com. Taping and finishing in accordance with British Gypsum's current recommendations is assumed (with the exception of FireCase system). Please note the drawing may show British Gypsum products fixed by or to products that are non-British Gypsum products/fixings please refer to Specifying Authority for specification details. This drawing is valid at the time of issue, please check with British Gypsum for the latest version. No duty of care is owed to the recipient or any third party and British Gypsum excludes all liability in respect of the details shown save where death or personal injury is caused due to British Gypsum's negligence or for fraud.