

This drawing provides guidance to achieve indicative performance criteria for specific design conditions

GypWall Single Frame

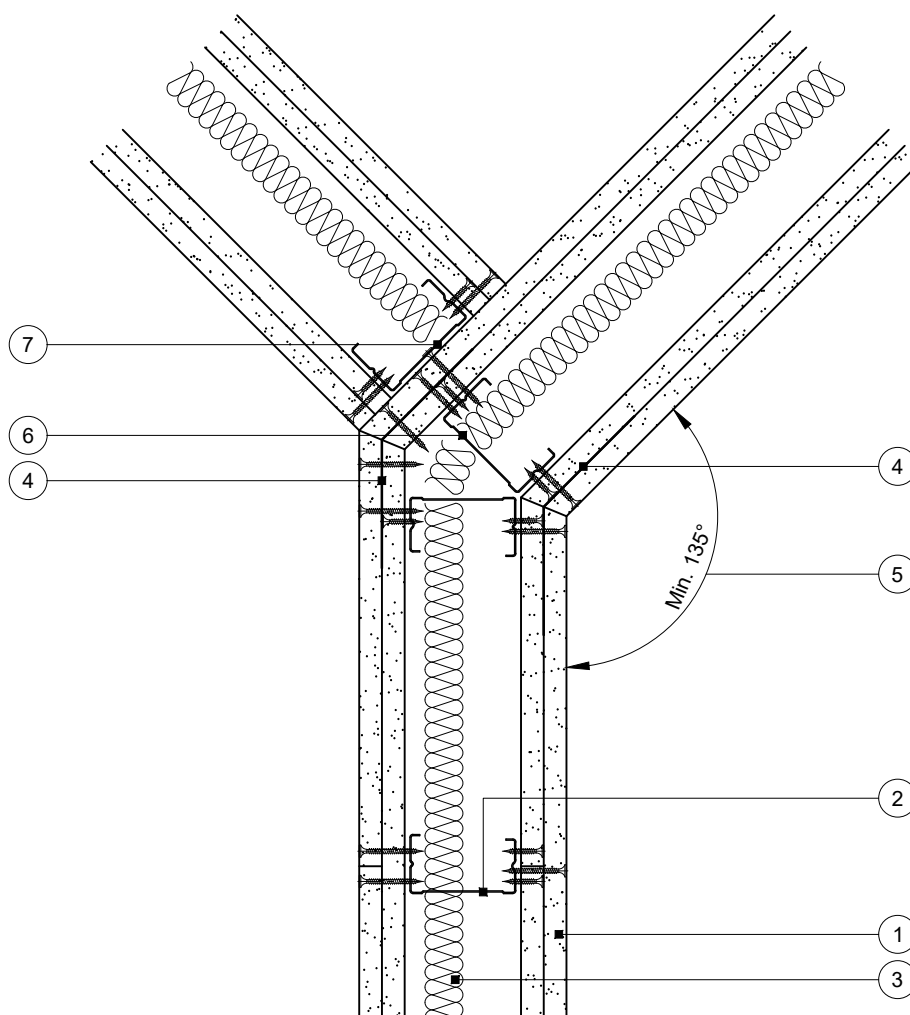
- 1 Two layers Gyproc plasterboard or Glasroc specialist board fixed with suitable British Gypsum screws at 300mm centres (200mm centres at external angles)
- 2 Gypframe 'C' studs at specified centres
- 3 Isover insulation where required
- 4 Gypframe GA6 Splayed Angle to receive outer layer board fixings
- 5 Minimum angle ensures Gypframe GA6 Splayed Angle is fixed to studs at external angle
- 6 Gypframe 'C' stud at junction (two for 92mm and 146mm studs in adjacent partition)
- 7 Gypframe 'C' stud fixed through board to stud(s) with suitable British Gypsum screws at 600mm centres (in two lines staggered by 300mm for 92mm and 146mm studs)

Important information

Fire resistance BS EN 1364-1

- Estimated 30, 60, 90 or 120 minutes through partition subject to specification

As there is no recognised method for fire resistance testing of junctions, any performance characteristics, stated or inferred, in this detail are estimated based on each system tested in isolation and other relevant test data. The drawing should be approved by the project design and management authority before use to ensure that it meets with their specific project requirements



Y-junction

Title: Construction detail

Scale at A4: 1:5

Drawn: MRC

Date: February 2022

Approved: MKF JMC

Dwg No.: CN-121-062

Revision:

Technical Support Team | british-gypsum.com

This drawing is provided to customers free of charge and the details shown are subject to the accuracy of the information provided to British Gypsum at the time the drawing was originally requested. The drawing should therefore be approved by the project design and management authority before use to ensure that it meets with their specific project requirements. It should also be read in conjunction with British Gypsum's current literature available at www.british-gypsum.com. Taping and finishing in accordance with British Gypsum's current recommendations is assumed (with the exception of FireCase system). Please note the drawing may show British Gypsum products fixed by or to products that are non-British Gypsum products/fixings please refer to Specifying Authority for specification details. This drawing is valid at the time of issue, please check with British Gypsum for the latest version. No duty of care is owed to the recipient or any third party and British Gypsum excludes all liability in respect of the details shown save where death or personal injury is caused due to British Gypsum's negligence or for fraud.