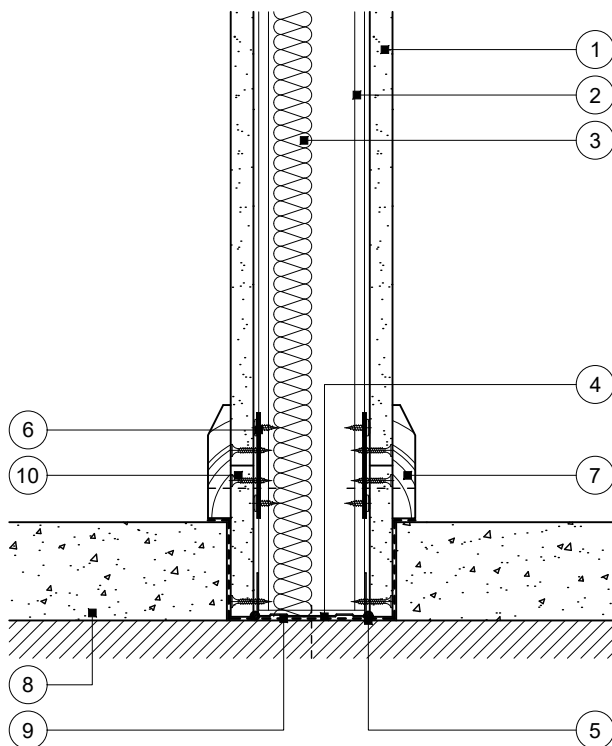


Construction Detail

This drawing provides guidance to achieve indicative performance criteria for specific design conditions

GypWall Single Frame and GypWall Single Frame Enhanced

- 1 One layer Gyproc plasterboard or Glasroc specialist board fixed with suitable British Gypsum screws at 300mm centres (200mm centres at external angles)
- 2 Gyproframe 'C' studs at specified centres
- 3 Isover insulation where required
- 4 GypWall Single Frame:
Gyproframe Channel suitably fixed to floor at 600mm centres (in two lines staggered by 300mm for 94mm and 148mm channels). Deep Channel for heights between 4200mm and 8000mm or Extra Deep Channel for heights over 8000mm
GypWall Single Frame Enhanced:
Gyproframe Deep Channel suitably fixed to floor at 600mm centres (in two lines staggered by 300mm for 94mm and 148mm channels). Extra Deep Channel for heights over 8000mm
- 5 Gyproc Sealant for optimum sound insulation
- 6 Gyproframe GFS1 Fixing Strap fixed to each stud with two suitable British Gypsum wafer head screws
- 7 Indicative skirting
- 8 Indicative screed
- 9 Indicative DPM
- 10 Nominal 100mm high 'rip' of board type to match lining



! Important information

Fire resistance BS EN 1364-1

- 30 or 60 minutes through partition subject to specification

Base with screed abutment

Partition partially installed prior to screed

Rev. A 28.04.23 Annotation update (MBH)

Title: Construction detail

Scale at A4: 1:5

Drawn: MRC

Date: December 2021

Approved: MKF JMC

Dwg No.: CN-121-027

Revision: A

Technical Support Team | british-gypsum.com

This drawing is provided to customers free of charge and the details shown are subject to the accuracy of the information provided to British Gypsum at the time the drawing was originally requested. The drawing should therefore be approved by the project design and management authority before use to ensure that it meets with their specific project requirements. It should also be read in conjunction with British Gypsum's current literature available at www.british-gypsum.com. Taping and finishing in accordance with British Gypsum's current recommendations is assumed (with the exception of FireCase system). Please note the drawing may show British Gypsum products/fixings please refer to Specifying Authority for specification details. This drawing is valid at the time of issue, please check with British Gypsum for the latest version. No duty of care is owed to the recipient or any third party and British Gypsum excludes all liability in respect of the details shown save where death or personal injury is caused due to British Gypsum's negligence or for fraud.