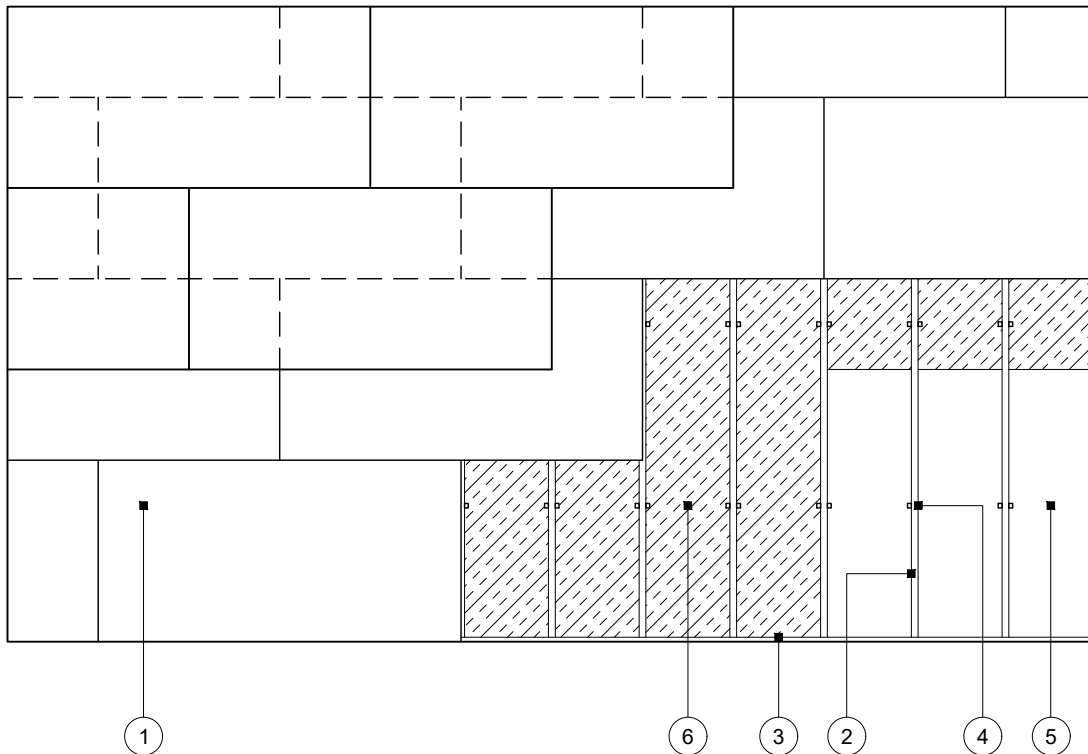


# Standard Detail

This drawing provides general guidance where no performance criteria is given and site specific conditions are not taken into account

## GypCeiling Lining

- 1 Two layers Gyproc plasterboard or Glasroc specialist board fixed with suitable British Gypsum screws at 230mm centres in field of board and 150mm centres at board ends
- 2 Gypframe GL1 Lining Channels at max. 450mm centres for 12.5mm board or max. 600mm centres for 15mm board. Lining channels extended with Gypframe GL3 Channel Connectors (not shown)
- 3 Gypframe GL8 Track suitably fixed to wall at 600mm centres
- 4 Gypframe GL2, GL9 or GL12 Brackets at 1200mm centres suitably fixed to soffit. Legs fixed to lining channel with suitable British Gypsum wafer head screws and bent back from lining channel face
- 5 Concrete soffit
- 6 Isover insulation where required



## Reflected ceiling plan concrete soffit

**Title:** GypCeiling Lining  
Concrete soffit and two layers board  
Standard details read with project specification

**Scale at A4:** 1:50  
**Date:** October 2021  
**Dwg No.:** ST-322-BRL2-01

**Drawn:** MRC  
**Approved:** MBH  
**Revision:**

Technical Support Team | [british-gypsum.com](http://british-gypsum.com)

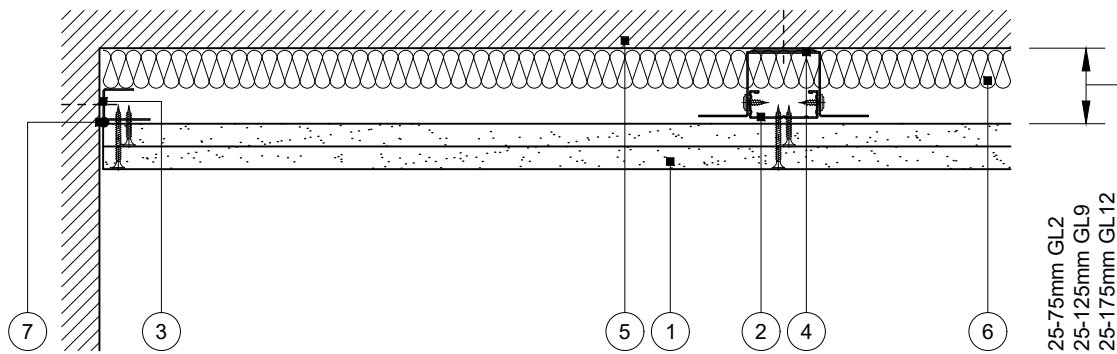
This drawing is provided to customers free of charge and the details shown are subject to the accuracy of the information provided to British Gypsum at the time the drawing was originally requested. The drawing should therefore be approved by the project design and management authority before use to ensure that it meets with their specific project requirements. It should also be read in conjunction with British Gypsum's current literature available at [www.british-gypsum.com](http://www.british-gypsum.com). Taping and finishing in accordance with British Gypsum's current recommendations is assumed (with the exception of FireCase system). Please note the drawing may show British Gypsum products fixed by or to products that are non-British Gypsum products/fixings please refer to Specifying Authority for specification details. This drawing is valid at the time of issue, please check with British Gypsum for the latest version. No duty of care is owed to the recipient or any third party and British Gypsum excludes all liability in respect of the details shown save where death or personal injury is caused due to British Gypsum's negligence or for fraud.

# Standard Detail

This drawing provides general guidance where no performance criteria is given and site specific conditions are not taken into account

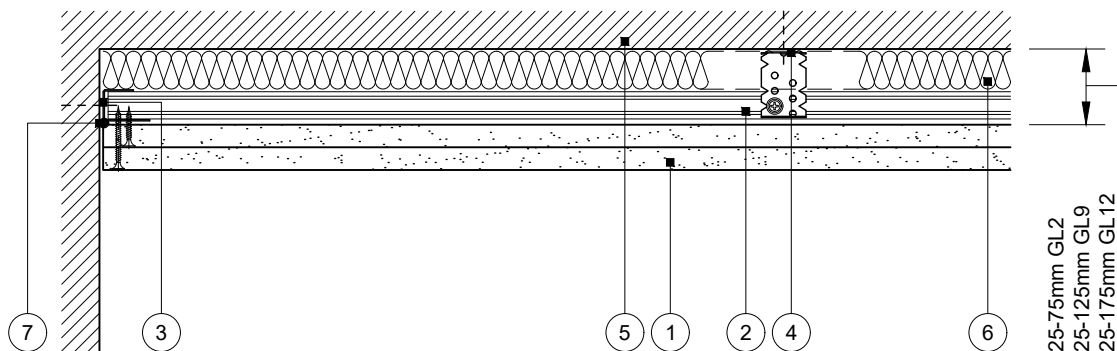
## GypCeiling Lining

- 1 Two layers Gyproc plasterboard or Glasroc specialist board fixed with suitable British Gypsum screws at 230mm centres in field of board and 150mm centres at board ends
- 2 Gypframe GL1 Lining Channels at max. 450mm centres for 12.5mm board or max. 600mm centres for 15mm board. Lining channels extended with Gypframe GL3 Channel Connectors (not shown)
- 3 Gypframe GL8 Track suitably fixed to wall at 600mm centres
- 4 Gypframe GL2, GL9 or GL12 Brackets at 1200mm centres suitably fixed to soffit. Legs fixed to lining channel with suitable British Gypsum wafer head screws and bent back from lining channel face
- 5 Concrete soffit
- 6 Isover insulation where required
- 7 Gyproc Sealant for optimum sound insulation



### Perimeter 1

GL1 parallel to wall



### Perimeter 2

GL1 perpendicular to wall

**Title:** GypCeiling Lining  
Concrete soffit and two layers board  
Standard details read with project specification

**Scale at A4:** 1:5  
**Date:** October 2021  
**Dwg No.:** ST-322-BRL2-02

**Drawn:** MRC  
**Approved:** MBH  
**Revision:**

Technical Support Team | [british-gypsum.com](http://british-gypsum.com)