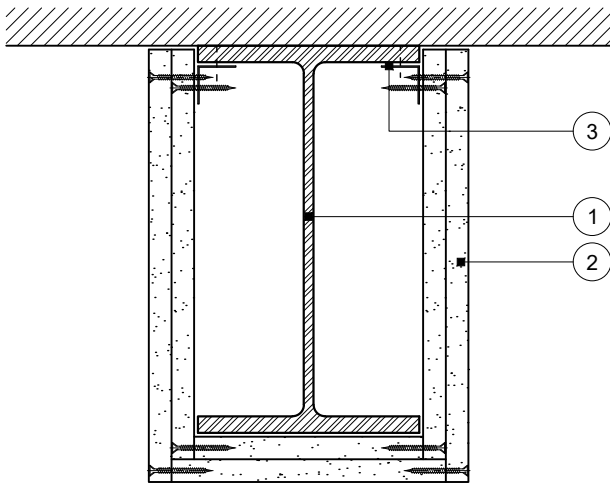


Standard Detail

This drawing provides general guidance where no performance criteria is given and site specific conditions are not taken into account

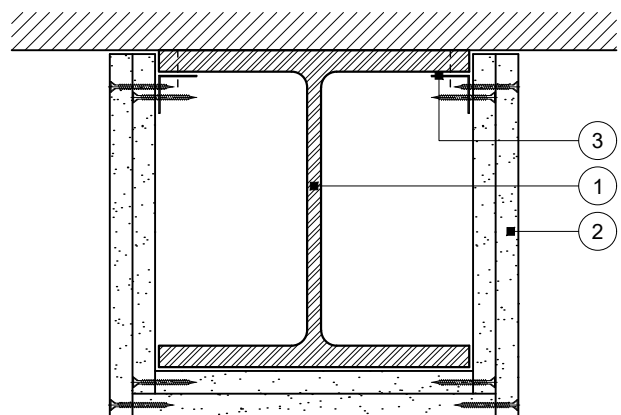
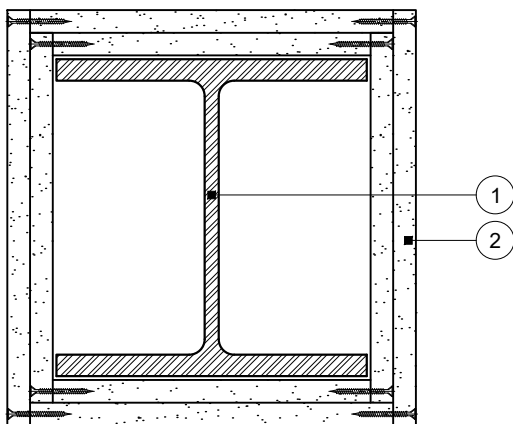
FireCase

- 1 Indicative steel column/beam
- 2 Two layers Glasroc F FireCase fixed together and to steel angles with Glasroc F FireCase Screws at 150mm centres. Board joints staggered by minimum 600mm between adjacent sides and layers
- 3 Gypframe FEA1 Steel Angle suitably fixed to column/beam flange at 600mm centres



Three sided beam encasement

Maximum 600mm beam height



Four sided column encasement

Maximum 600mm column width

Three sided column encasement

Maximum 600mm column width

Title: FireCase
Steel angles and two layers board
Standard details read with project specification

Scale at A4: 1:5
Date: October 2021
Dwg No.: ST-421-ANL2-01

Drawn: MRC
Approved: MBH
Revision:

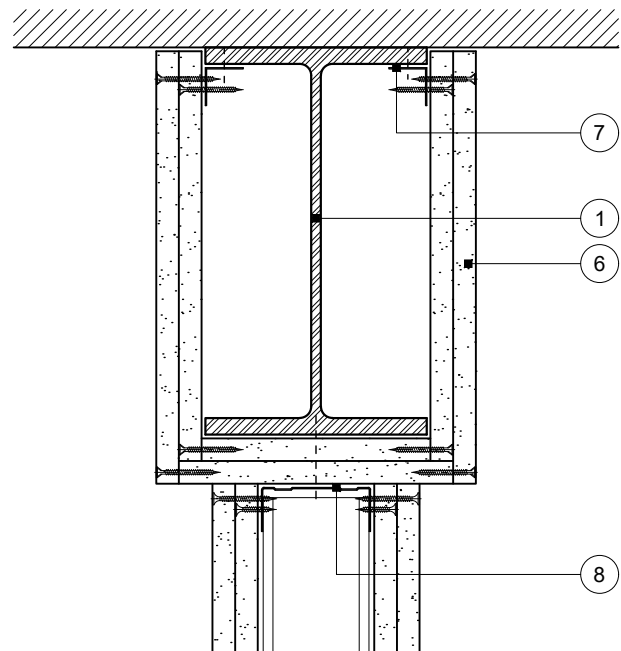
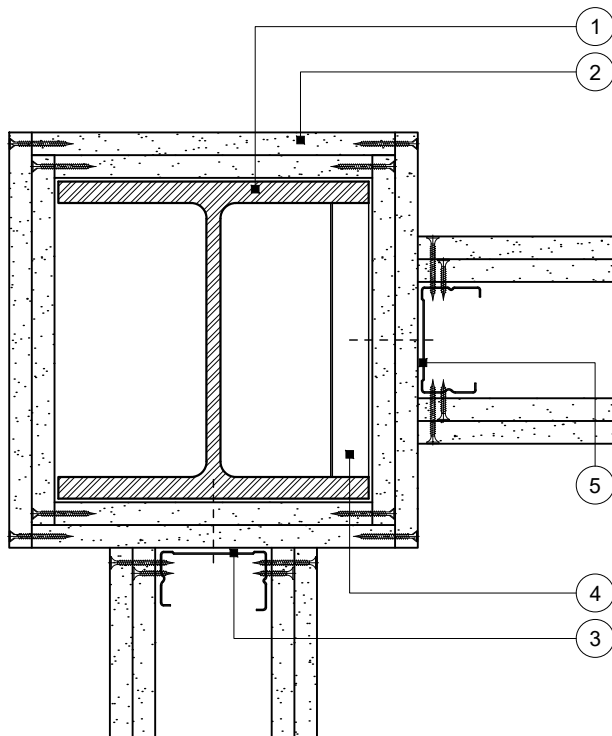
Technical Support Team | british-gypsum.com

Standard Detail

This drawing provides general guidance where no performance criteria is given and site specific conditions are not taken into account

FireCase

- 1 Indicative steel column/beam
- 2 Two layers Glasroc F FireCase fixed together with Glasroc F FireCase Screws at 150mm centres. Board joints staggered by minimum 600mm between adjacent sides and layers
- 3 Gypframe stud suitably fixed through board to column at 600mm centres (in two lines staggered by 300mm for 92mm and 146mm studs)
- 4 Suitable size 'Z' section by others fixed between column flanges at 600mm centres (300mm centres for 92mm and 146mm studs in adjacent partition)
- 5 Gypframe stud suitably fixed through board to 'Z' sections at 600mm centres (in two 2 lines staggered by 300mm for 92mm and 146mm studs)
- 6 Two layers Glasroc F FireCase fixed together and to steel angles with Glasroc F FireCase Screws at 150mm centres. Board joints staggered by minimum 600mm between adjacent sides and layers
- 7 Gypframe FEA1 Steel Angle suitably fixed to beam flange at 600mm centres
- 8 Gypframe channel suitably fixed through board to beam at 600mm centres (in two lines staggered by 300mm for 94mm and 148mm channels)



Column and partition junction

Maximum 600mm column width

Beam and partition junction

Maximum 600mm beam height

Title: FireCase
Steel angles and two layers board
Standard details read with project specification

Scale at A4: 1:5
Date: October 2021
Dwg No.: ST-421-ANL2-02

Drawn: MRC
Approved: MBH
Revision:

Technical Support Team | british-gypsum.com