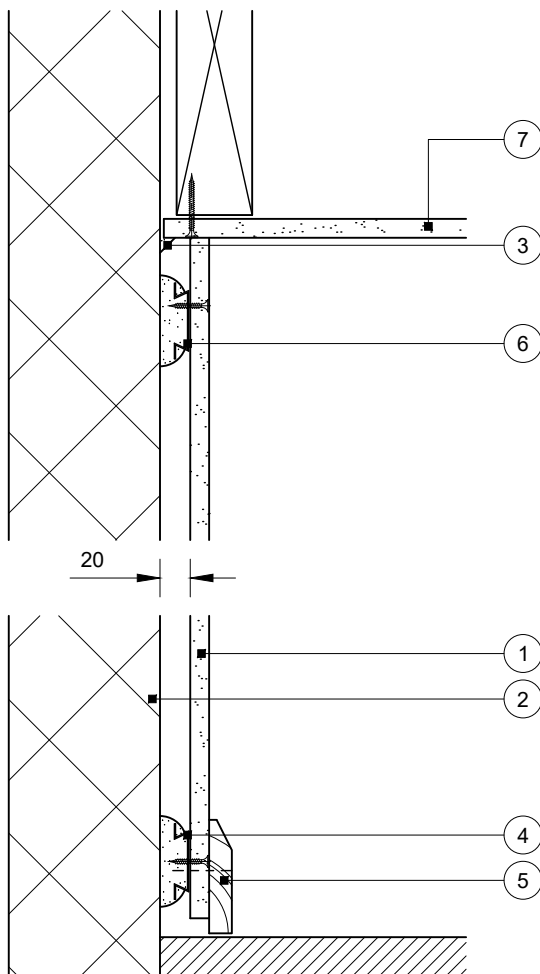


# Standard Detail

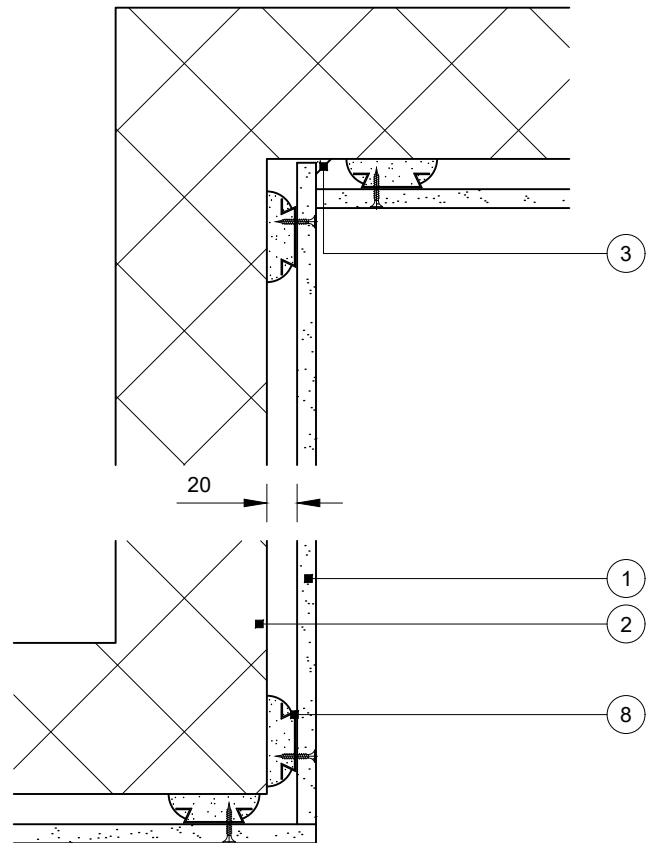
This drawing provides general guidance where no performance criteria is given and site specific conditions are not taken into account

## DriLyner Fix

- |  |   |
|--|---|
| <ol style="list-style-type: none"> <li>1 12.5mm or 15mm Gyproc plasterboard fixed with suitable British Gypsum screws at 300mm centres (200mm centres at external angles)</li> <li>2 Indicative masonry background</li> <li>3 Continuous fillet of Gyproc DriWall Adhesive to wall perimeter</li> <li>4 Horizontal Gyproframe MF10 channel 25mm above floor level and bedded on continuous band of Gyproc DriWall Adhesive</li> <li>5 Indicative skirting</li> </ol> | <ol style="list-style-type: none"> <li>6 Horizontal Gyproframe MF10 channel 30mm below ceiling level and bedded on 200mm long dabs of Gyproc DriWall Adhesive at 450mm centres</li> <li>7 Gyproc plasterboard ceiling</li> <li>8 Gyproframe MF10 channels at 600mm centres bedded on 200mm long dabs of Gyproc DriWall Adhesive at 450mm centres</li> </ol> |
|--|---|



**Base and head**



**External and internal corners**

**Title:** DriLyner Fix  
Metal furrings and one layer board  
Standard details read with project specification

**Scale at A4:** 1:5  
**Date:** October 2021  
**Dwg No.:** ST-222-MFPB-01

**Drawn:** MRC  
**Approved:** NCL  
**Revision:**

**Technical Support Team | british-gypsum.com**

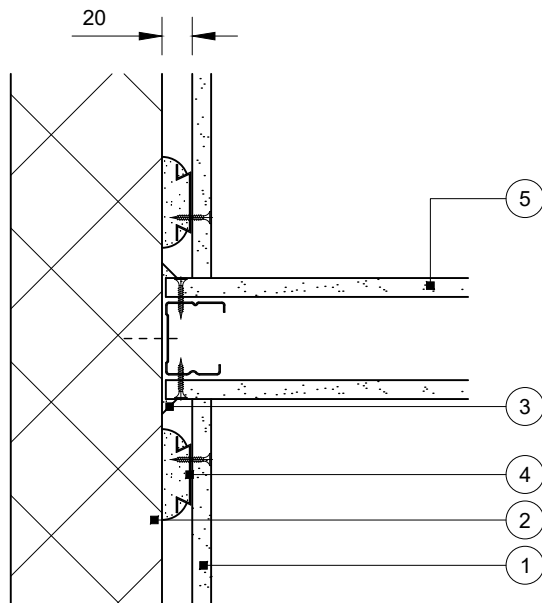
This drawing is provided to customers free of charge and the details shown are subject to the accuracy of the information provided to British Gypsum at the time the drawing was originally requested. The drawing should therefore be approved by the project design and management authority before use to ensure that it meets with their specific project requirements. It should also be read in conjunction with British Gypsum's current literature available at [www.british-gypsum.com](http://www.british-gypsum.com). Taping and finishing in accordance with British Gypsum's current recommendations is assumed (with the exception of FireCase system). Please note the drawing may show British Gypsum products fixed by or to products that are non-British Gypsum products/fixings please refer to Specifying Authority for specification details. This drawing is valid at the time of issue, please check with British Gypsum for the latest version. No duty of care is owed to the recipient or any third party and British Gypsum excludes all liability in respect of the details shown save where death or personal injury is caused due to British Gypsum's negligence or for fraud.

# Standard Detail

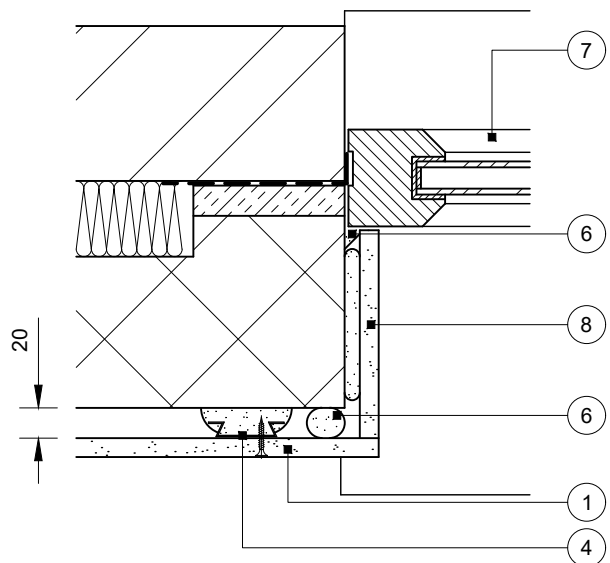
This drawing provides general guidance where no performance criteria is given and site specific conditions are not taken into account

## DriLyner Fix

- |  |   |
|--|---|
| <ol style="list-style-type: none"> <li>1 12.5mm or 15mm Gyproc plasterboard fixed with suitable British Gypsum screws at 300mm centres (200mm centres at external angles)</li> <li>2 Indicative masonry background</li> <li>3 Continuous fillet of Gyproc DriWall Adhesive to wall perimeter</li> <li>4 Gypframe MF10 channels at 600mm centres bedded on 200mm long dabs of Gyproc DriWall Adhesive at 450mm centres</li> <li>5 Indicative metal stud partition suitably fixed to wall</li> </ol> | <ol style="list-style-type: none"> <li>6 Continuous fillet of Gyproc DriWall Adhesive to opening perimeter</li> <li>7 Indicative window frame</li> <li>8 Gyproc plasterboard fixed with dabs of Gyproc DriWall Adhesive (50-75mm wide and 250mm long)</li> <li>9 Indicative timber door frame and architrave fixed to wall</li> </ol> |
|--|---|

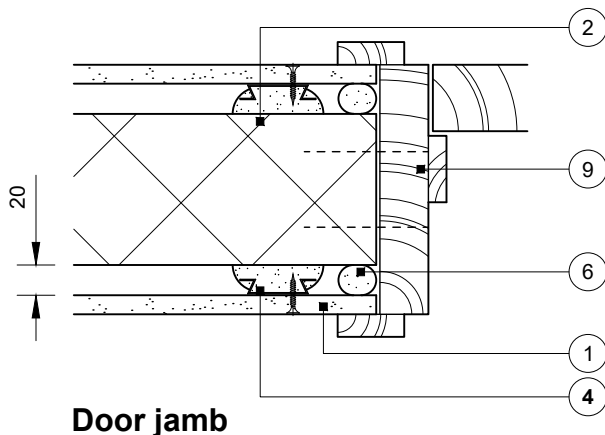


Partition abutment



Window reveal

Principles apply to door reveal



Door jamb

**Title:** DriLyner Fix  
Metal furrings and one layer board  
Standard details read with project specification

**Scale at A4:** 1:5  
**Date:** October 2021  
**Dwg No.:** ST-222-MFPB-02

**Drawn:** MRC  
**Approved:** NCL  
**Revision:**

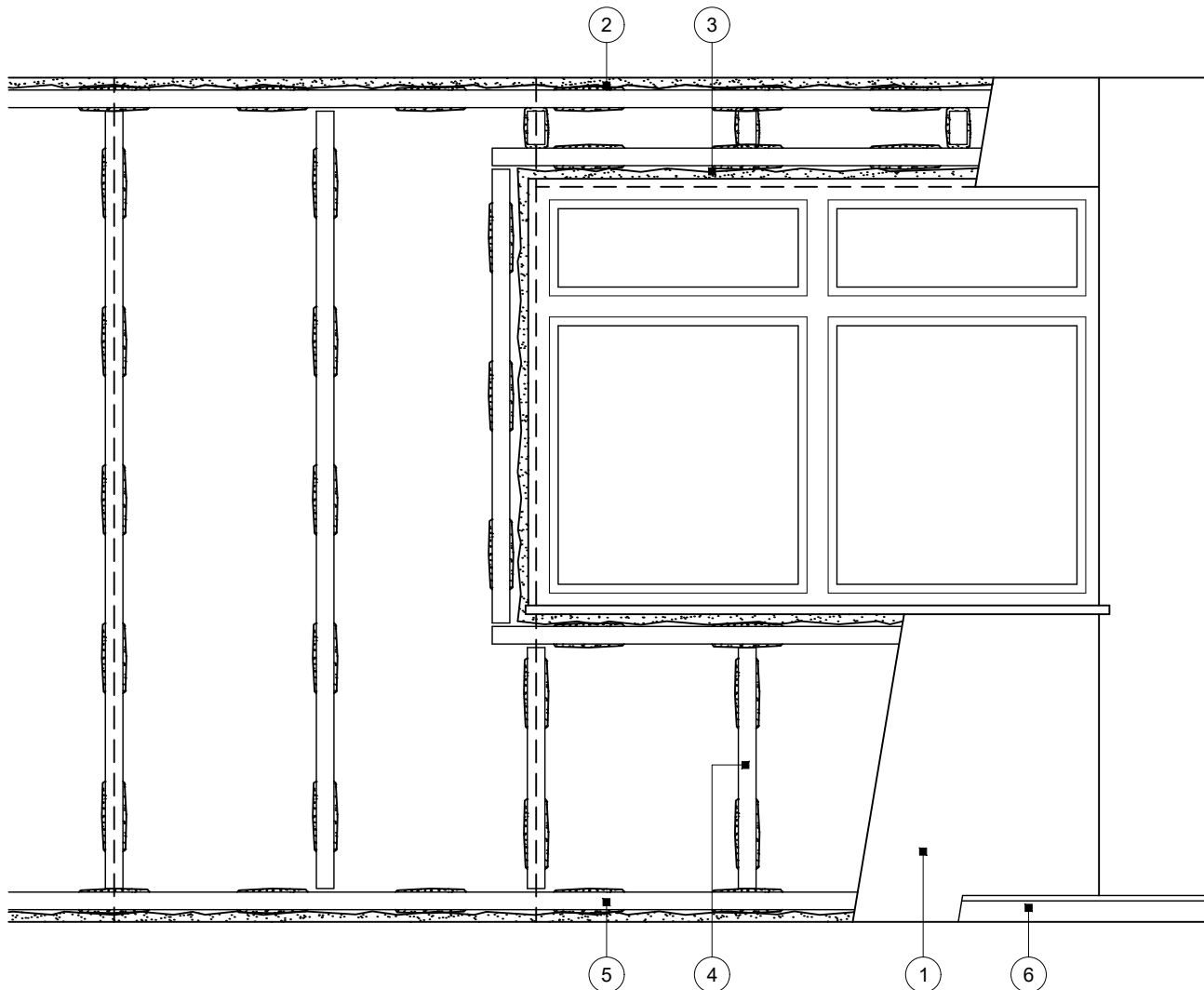
Technical Support Team | british-gypsum.com

# Standard Detail

This drawing provides general guidance where no performance criteria is given and site specific conditions are not taken into account

## DriLyner Fix

- 1 12.5mm or 15mm Gyproc plasterboard fixed with suitable British Gypsum screws at 300mm centres
- 2 Continuous fillet of Gyproc DriWall Adhesive to wall perimeter
- 3 Continuous fillet of Gyproc DriWall Adhesive to opening perimeter
- 4 Gypframe MF10 channels at 600mm centres bedded on 200mm long dabs of Gyproc DriWall Adhesive at 450mm centres
- 5 Horizontal Gypframe MF10 channel 25mm above floor level and bedded on continuous band of Gyproc DriWall Adhesive
- 6 Indicative skirting



## Typical wall elevation

Plasterboard

**Title:** DriLyner Fix  
Metal furrings and one layer board  
Standard details read with project specification

**Scale at A4:** 1:20  
**Date:** October 2021  
**Dwg No.:** ST-222-MFPB-03

**Drawn:** MRC  
**Approved:** NCL  
**Revision:**

Technical Support Team | [british-gypsum.com](http://british-gypsum.com)

This drawing is provided to customers free of charge and the details shown are subject to the accuracy of the information provided to British Gypsum at the time the drawing was originally requested. The drawing should therefore be approved by the project design and management authority before use to ensure that it meets with their specific project requirements. It should also be read in conjunction with British Gypsum's current literature available at [www.british-gypsum.com](http://www.british-gypsum.com). Taping and finishing in accordance with British Gypsum's current recommendations is assumed (with the exception of FireCase system). Please note the drawing may show British Gypsum products fixed by or to products that are non-British Gypsum products/fixings please refer to Specifying Authority for specification details. This drawing is valid at the time of issue, please check with British Gypsum for the latest version. No duty of care is owed to the recipient or any third party and British Gypsum excludes all liability in respect of the details shown save where death or personal injury is caused due to British Gypsum's negligence or for fraud.