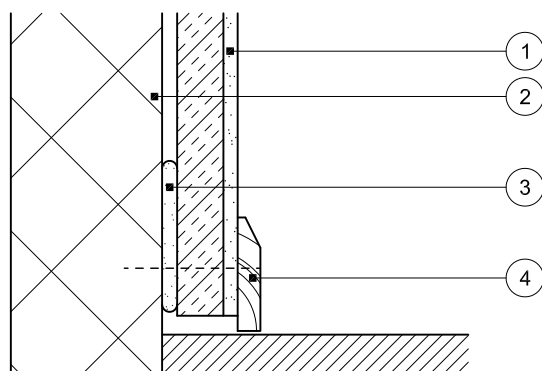
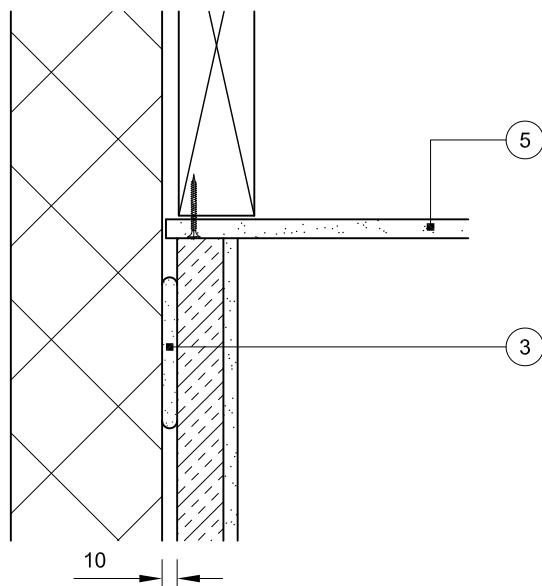


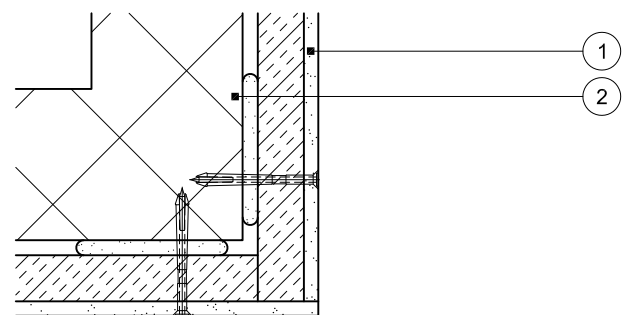
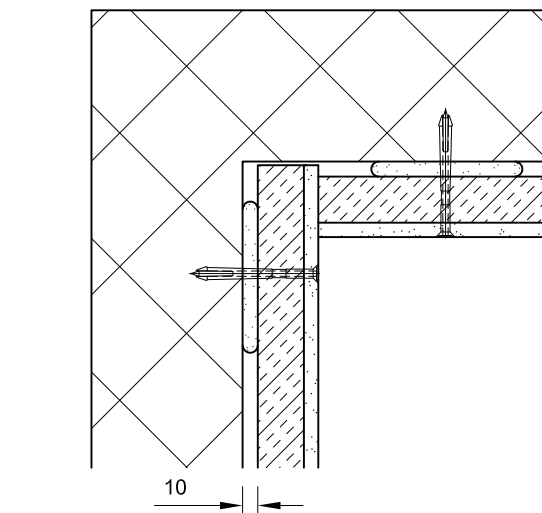
This drawing provides general guidance where no performance criteria is given and site specific conditions are not taken into account

## DriLyner Dab

- 1 Gyproc thermal laminate fixed with dabs of Gyproc DriWall Adhesive (50-75mm wide and 250mm long) in three vertical lines and two British Gypsum Nailable Plugs (nominal 25mm penetration into solid background) at mid-height
- 2 Indicative masonry background
- 3 Continuous band of Gyproc DriWall Adhesive at head and base of lining
- 4 Indicative skirting
- 5 Gyproc plasterboard ceiling



**Base and head**



**External and internal corners**

Rev. A - 1.11.22 - Perimeter fillet removed (DRM)

**Title:** DriLyner Dab  
Thermal laminate  
Standard details read with project specification

**Scale at A4:** 1:5  
**Date:** October 2021  
**Dwg No.:** ST-221-DALA-01

**Drawn:** MRC  
**Approved:** NCL  
**Revision:** A

Technical Support Team | [british-gypsum.com](http://british-gypsum.com)

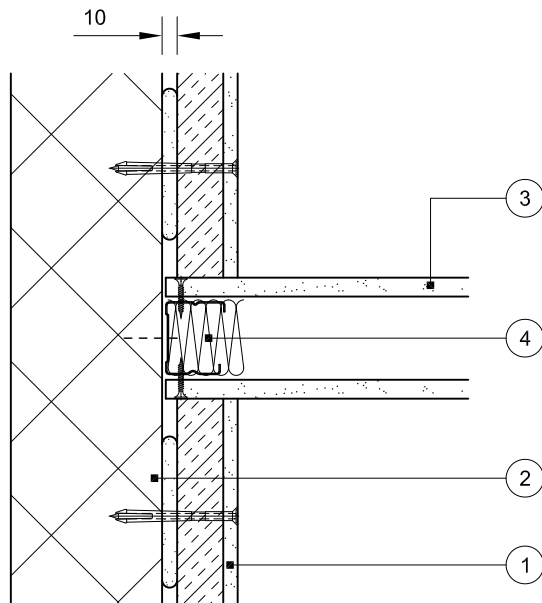
This drawing is provided to customers free of charge and the details shown are subject to the accuracy of the information provided to British Gypsum at the time the drawing was originally requested. The drawing should therefore be approved by the project design and management authority before use to ensure that it meets with their specific project requirements. It should also be read in conjunction with British Gypsum's current literature available at [www.british-gypsum.com](http://www.british-gypsum.com). Taping and finishing in accordance with British Gypsum's current recommendations is assumed (with the exception of FireCase system). Please note the drawing may show British Gypsum products fixed by or to products that are non-British Gypsum products/fixings please refer to Specifying Authority for specification details. This drawing is valid at the time of issue, please check with British Gypsum for the latest version. No duty of care is owed to the recipient or any third party and British Gypsum excludes all liability in respect of the details shown save where death or personal injury is caused due to British Gypsum's negligence or for fraud.

# Standard Detail

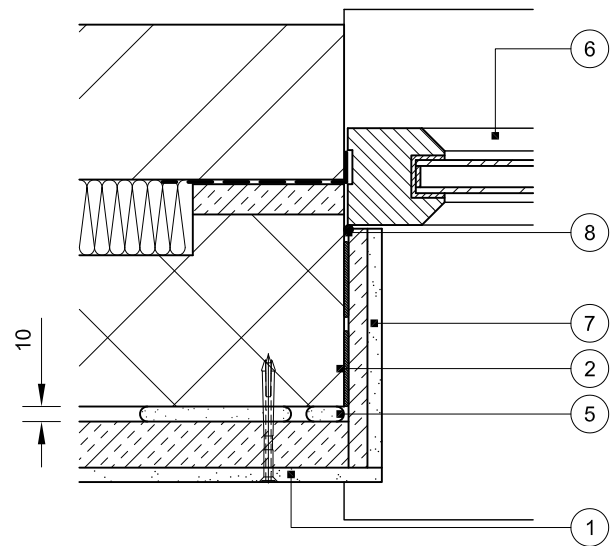
This drawing provides general guidance where no performance criteria is given and site specific conditions are not taken into account

## DriLyner Dab

- 1 Gyproc thermal laminate fixed with dabs of Gyproc DriWall Adhesive (50-75mm wide and 250mm long) in three vertical lines and two British Gypsum Nailable Plugs (nominal 25mm penetration into solid background) at mid-height
- 2 Indicative masonry background
- 3 Indicative metal stud partition suitably fixed to wall
- 4 Suitable Isover insulation to maintain thermal performance of wall lining
- 5 Continuous fillet of Gyproc DriWall Adhesive to opening perimeter
- 6 Indicative window frame
- 7 Thinner Gyproc thermal laminate fixed with blobs of Gyproc Sealant at 300mm centres in two vertical lines
- 8 Continuous bead of Gyproc Sealant to opening perimeter



**Partition abutment**



**Window reveal**

Principles apply to door reveal

Rev. A - 1.11.22 - Perimeter fillet removed (DRM)

**Title:** DriLyner Dab  
Thermal laminate  
Standard details read with project specification

**Scale at A4:** 1:5  
**Date:** October 2021  
**Dwg No.:** ST-221-DALA-02

**Drawn:** MRC  
**Approved:** NCL  
**Revision:** A

Technical Support Team | [british-gypsum.com](http://british-gypsum.com)

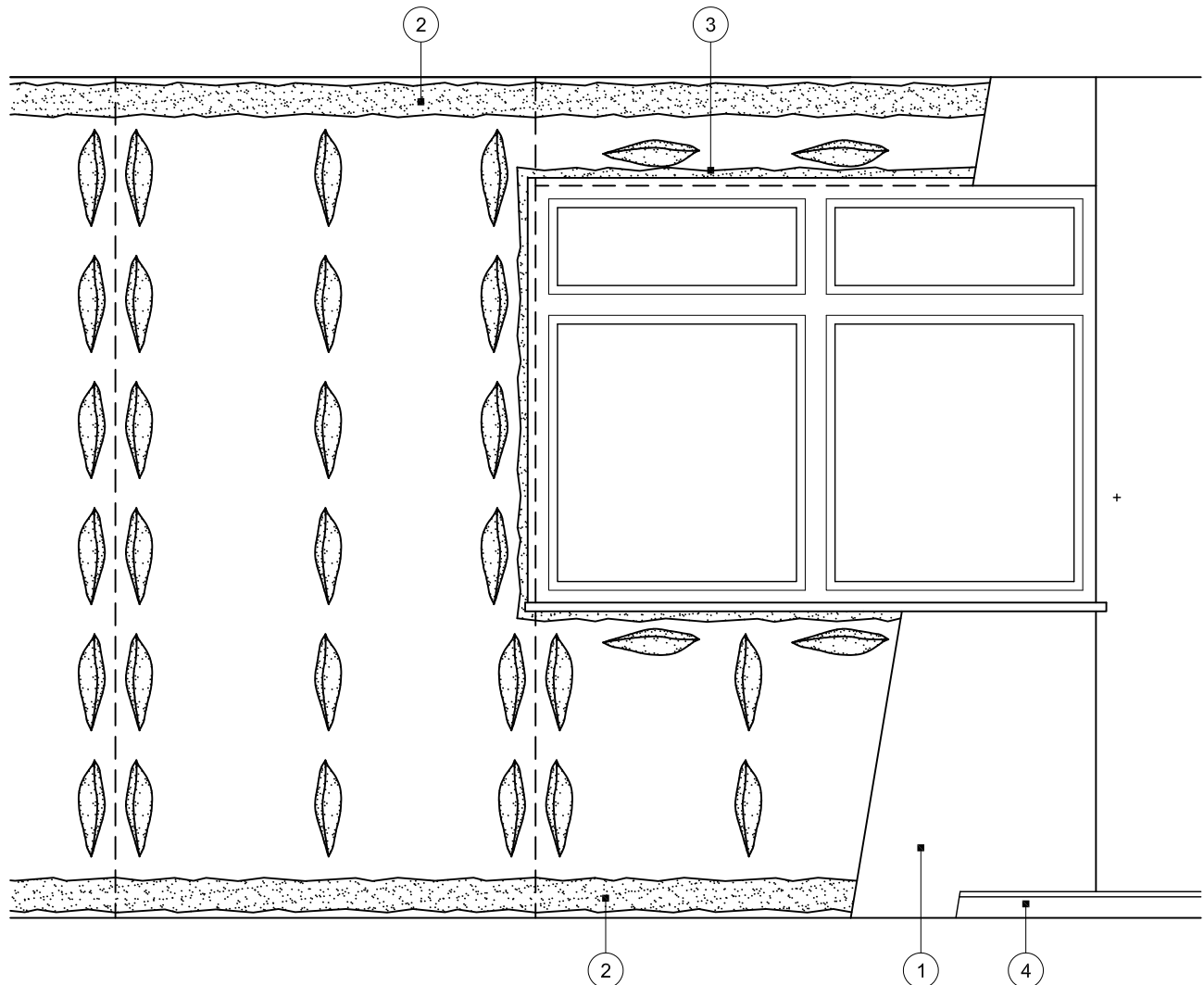
This drawing is provided to customers free of charge and the details shown are subject to the accuracy of the information provided to British Gypsum at the time the drawing was originally requested. The drawing should therefore be approved by the project design and management authority before use to ensure that it meets with their specific project requirements. It should also be read in conjunction with British Gypsum's current literature available at [www.british-gypsum.com](http://www.british-gypsum.com). Taping and finishing in accordance with British Gypsum's current recommendations is assumed (with the exception of FireCase system). Please note the drawing may show British Gypsum products fixed by or to products that are non-British Gypsum products/fixings please refer to Specifying Authority for specification details. This drawing is valid at the time of issue, please check with British Gypsum for the latest version. No duty of care is owed to the recipient or any third party and British Gypsum excludes all liability in respect of the details shown save where death or personal injury is caused due to British Gypsum's negligence or for fraud.

# Standard Detail

This drawing provides general guidance where no performance criteria is given and site specific conditions are not taken into account

## DriLyner Dab

- 1 Gyproc thermal laminate fixed with dabs of Gyproc DriWall Adhesive (50-75mm wide and 250mm long) in three vertical lines and two British Gypsum Nailable Plugs (nominal 25mm penetration into solid background) at mid-height
- 2 Continuous band of Gyproc DriWall Adhesive at head and base of lining
- 3 Continuous fillet of Gyproc DriWall Adhesive to opening perimeter
- 4 Indicative skirting



## Typical wall elevation

Thermal laminate

Rev. A - 1.11.22 - Fillet at top of lining replaced with band of adhesive (DRM)

**Title:** DriLyner Dab  
Thermal laminate  
Standard details read with project specification

**Scale at A4:** 1:20  
**Date:** October 2021  
**Dwg No.:** ST-221-DALA-03

**Drawn:** MRC  
**Approved:** NCL  
**Revision:** A

Technical Support Team | [british-gypsum.com](http://british-gypsum.com)

This drawing is provided to customers free of charge and the details shown are subject to the accuracy of the information provided to British Gypsum at the time the drawing was originally requested. The drawing should therefore be approved by the project design and management authority before use to ensure that it meets with their specific project requirements. It should also be read in conjunction with British Gypsum's current literature available at [www.british-gypsum.com](http://www.british-gypsum.com). Taping and finishing in accordance with British Gypsum's current recommendations is assumed (with the exception of FireCase system). Please note the drawing may show British Gypsum products fixed by or to products that are non-British Gypsum products/fixings please refer to Specifying Authority for specification details. This drawing is valid at the time of issue, please check with British Gypsum for the latest version. No duty of care is owed to the recipient or any third party and British Gypsum excludes all liability in respect of the details shown save where death or personal injury is caused due to British Gypsum's negligence or for fraud.